



IP-XACT User Guide

Accellera IP-XACT Working Group

March 2018

Notices

Accellera Systems Initiative Standards documents are developed within Accellera Systems Initiative (Accellera) and its Technical Committee. Accellera develops its standards through a consensus development process, approved by its members and board of directors, which brings together volunteers representing varied viewpoints and interests to achieve the final product. Volunteers are not necessarily members of Accellera and serve without compensation. While Accellera administers the process and establishes rules to promote fairness in the consensus development process, Accellera does not independently evaluate, test, or verify the accuracy of any of the information contained in its standards.

Use of an Accellera Standard is wholly voluntary. Accellera disclaims liability for any personal injury, property or other damage, of any nature whatsoever, whether special, indirect, consequential, or compensatory, directly or indirectly resulting from the publication, use of, or reliance upon this, or any other Accellera Standard document.

Accellera does not warrant or represent the accuracy or content of the material contained herein, and expressly disclaims any express or implied warranty, including any implied warranty of merchantability or suitability for a specific purpose, or that the use of the material contained herein is free from patent infringement. Accellera Standards documents are supplied “**AS IS.**”

The existence of an Accellera Standard does not imply that there are no other ways to produce, test, measure, purchase, market, or provide other goods and services related to the scope of an Accellera Standard. Furthermore, the viewpoint expressed at the time a standard is approved and issued is subject to change due to developments in the state of the art and comments received from users of the standard. Every Accellera Standard is subjected to review periodically for revision and update. Users are cautioned to check to determine that they have the latest edition of any Accellera Standard.

In publishing and making this document available, Accellera is not suggesting or rendering professional or other services for, or on behalf of, any person or entity. Nor is Accellera undertaking to perform any duty owed by any other person or entity to another. Any person utilizing this, and any other Accellera Standards document, should rely upon the advice of a competent professional in determining the exercise of reasonable care in any given circumstances.

Interpretations: Occasionally questions may arise regarding the meaning of portions of standards as they relate to specific applications. When the need for interpretations is brought to the attention of Accellera, Accellera will initiate reasonable action to prepare appropriate responses. Since Accellera Standards represent a consensus of concerned interests, it is important to ensure that any interpretation has also received the concurrence of a balance of interests. For this reason, Accellera and the members of its Technical Committee and Working Groups are not able to provide an instant response to interpretation requests except in those cases where the matter has previously received formal consideration.

Comments for revision of Accellera Standards are welcome from any interested party, regardless of membership affiliation with Accellera. Suggestions for changes in documents should be in the form of a proposed change of text, together with appropriate supporting comments. Comments on standards and requests for interpretations should be addressed to:

Accellera Systems Initiative
8698 Elk Grove Blvd. Suite 1, #114
Elk Grove, CA 95624
USA

Note: Attention is called to the possibility that implementation of this standard may require use of subject matter covered by patent rights. By publication of this standard, no position is taken with respect to the existence or validity of any patent rights in connection therewith. Accellera shall not be responsible for identifying patents

for which a license may be required by an Accellera Standard or for conducting inquiries into the legal validity or scope of those patents that are brought to its attention.

Accellera is the sole entity that may authorize the use of Accellera-owned certification marks and/or trademarks to indicate compliance with the materials set forth herein.

Authorization to photocopy portions of any individual standard for internal or personal use must be granted by Accellera, provided that permission is obtained from and any required fee, if any, is paid to Accellera. Permission to photocopy portions of any individual standard for educational classroom use can also be obtained from Accellera. To arrange for authorization please contact Lynn Garibaldi, Executive Director, Accellera Systems Initiative, 8698 Elk Grove Blvd. Suite 1, #114, Elk Grove, CA 95624, phone (916) 760-1056, e-mail lynn@accellera.org.

Suggestions for improvements to the IP-XACT User Guide are welcome. They should be sent to the group's email Reflector:

ip-xact@lists.accellera.org

The current IP-XACT Working Group web page is:

www.accellera.org/activities/committees/ip-xact

Contents

1.	Introduction.....	1
1.1	Motivation.....	1
1.2	Audience.....	1
2.	Background.....	2
3.	IEEE 1685-2014 Explained.....	3
3.1	Basic Topics.....	6
3.1.1	Component.....	7
3.1.2	Design and Design Configuration.....	10
3.1.3	Bus and Abstraction Definition.....	16
3.1.4	Component Bus Interfaces and Design Interconnections.....	18
3.1.5	Component Memory Maps and Registers.....	25
3.1.6	Component Address Spaces and Bus Interface Bridges.....	30
3.2	Advanced Topics.....	34
3.2.1	Advanced Elements.....	34
3.2.2	Conditional Elements.....	43
3.2.3	Parameter Passing.....	44
3.2.4	Tight Generator Interface.....	48
4.	Use Models.....	51
4.1	Typical Use Models.....	51
4.1.1	Packaging.....	51
4.1.2	Assembly.....	52
4.2	Advanced Use Models.....	53
4.2.1	Data Exchange Between Tools.....	53
4.2.2	Proprietary Tool Flows.....	53
5.	Evolution of the Standard.....	55
5.1	Motivation of each Release.....	55
5.2	Key Elemental Differences between Adjacent Releases.....	55

1. Introduction

1.1 Motivation

The two main existing sources of information regarding the IP-XACT standard are the actual document defining the standard (*IEEE Standard for IP-XACT, Standard Structure for Packaging, Integrating, and Reusing IP within Tool Flows*), and the XML schema files that define the syntax of the standard. The IEEE document is required to be a normative description of the standard. The XML schema files contain some documentation, but are primarily a definition of the standard in a machine readable format. Neither of these information sources provides a user perspective nor any meaningful usage details. The primary motivation of this document is to fill this gap of missing user oriented documentation regarding the IP-XACT standard.

1.2 Audience

The primary audience for this document is anyone looking to gain an increased understanding of the IP-XACT standard with a focus on practical usage of standard. The content is applicable to IP developers, IP integrators, and tool developers. It is likely more useful for those new to the standard, but does include coverage of advanced topics that might be useful to more experienced users.

2. Background

Standards are typically created to provide a consistent means of defining information in a specific domain. The IP-XACT standard is no different in this regard. It defines a standard way to describe key details about an IP, such that users of the IP, both people and tools, can access the information in a consistent and potentially automated fashion.

When an IP consumer receives an IP from an internal or external IP provider, the hand-off typically occurs via a large volume of files documenting different views of the IP. RTL source code, documentation, simulation models, and synthesis constraints are common examples of the types of views delivered, but this list is far from complete, and the set of views delivered for different IPs can vary widely. The IP-XACT standard does not attempt to define which views should be provided, nor how they should be organized. The focus of the standard is to act as an electronic databook - its main function is to "document what's there." The most commonly used data documented via the IP-XACT standard falls into the following top-level categories.

- Document key modeling details of an IP such as top-level port names.
- Provide pointers to where different views of the IP exist within the delivered image.
- Document the configuration and interconnection of systems of IPs modeled using IP-XACT.

Documenting the IP modeling details directly in the IP-XACT file allows for access to critical information about an IP without requiring a search for the containing file or parsing of that file to gather the information. Modeling information includes details like top-level ports, logical interfaces, and a detailed description of the memory map.

Providing pointers to where different views reside within an IP image enables the IP user to know which views are present and where they reside without requiring standardization of file names or directory structures. This approach is used to document the location of views such as synthesis constraints, RTL source code, and simulation models, among others.

Documenting how systems of IPs are configured and connected enables the use of automation by design tools to drive the development of systems of components modeled using IP-XACT.

The IP-XACT standard provides for a consistent, machine readable description of an individual IP or system of interconnected IPs. The fact that IP descriptions are written to adhere to specific set of syntax and semantic rules, as defined in the standard, means that design tools and scripts can leverage these "electronic databooks" for documentation generation, test generation, system assembly, script generation for tools flows, or any other operation that typically requires knowledge about the key details defining IP components.

3. IEEE 1685-2014 Explained

The IP-XACT standard provides XML schemas for different types of XML documents. The different document types are **component**, **design**, **design configuration**, **bus definition**, **abstraction definition**, **abstractor**, **generator chain**, and **catalog**.

The purpose of a **component** is to enable the (re-)use of an IP through IP-XACT without the need for information from the implementation files. To this end, a **component** documents aspects such as

- the interfaces of an IP such as parameters, registers, ports, and grouping of ports into bus interfaces,
- the views of an IP such as RTL and TLM descriptions, and
- the files implementing each view, such as Verilog, VHDL, and SystemC files.

The purpose of a **design** is to describe the structure of an hierarchical IP and enable generation of views related to logical interconnect (e.g., system memory map) and physical interconnect (e.g., structural HDL). A **design** can be referenced in a **component** view. The combination of **component** and **design** enables the implementation and the (re-)use of hierarchical IP through IP-XACT. A **component** can reference multiple designs. A **design** documents an internal structure of a **component** by describing

- instances of sub-components that are used to implement a component,
- parameter values for component instances, and
- connections between component instances.

The purpose of a **design configuration** is to configure a **design** for a particular purpose by selecting an appropriate combination of views for its component instances. Abstractors, that perform communication abstraction conversion, may be needed on interconnections between component instances for which views have been selected that have a mismatch in communication abstraction (e.g., RTL versus TLM). A **design** can be associated with multiple design configurations. A **design configuration** documents a configuration of a design by describing

- views that are used for component instances and
- abstractor instances that are used for communication abstraction conversion on interconnections.

The purpose of a **bus definition** and an **abstraction definition** is to describe aspects of an hardware communication protocol. Bus and abstraction definitions are referenced in component bus interfaces to indicate which interface uses which protocol and which component ports implement that protocol. Two bus interfaces can be connected if and only if they reference the same bus definition (or if they reference compatible bus definitions; the meaning of compatible is explained in IEEE Std. 1685-2014). If two connected bus interfaces reference different abstraction definitions, then an **abstractor** is required on the interconnection to perform communication abstraction conversion. Abstractor instances are described in design configurations. A **bus definition** documents properties of a hardware communication protocol that are independent of the representation of the protocol such as

- if direct connections between master and slave interfaces are supported for a protocol and
- if the IP-XACT address calculations apply to a protocol to map slave memory maps into master address spaces.

An **abstraction definition** documents a representation of a hardware communication protocol in terms of the logical ports and their properties such as direction and number of bits for master and slave interfaces.

The purpose of an **abstractor** is to describe communication abstraction conversion between connected bus interfaces. The required conversion depends on the views of the component instances in a design configuration. Hence, abstractors are instantiated in design configurations for the purpose of modeling or simulating a mixed-abstraction design. An **abstractor** documents IP for communication abstraction conversion and is a specialization of **component** with its own document type.

The purpose of a **generator chain** is to describe flows that are enabled by IP-XACT. A **generator chain** documents a sequence of generators. A generator is a software tool, e.g., a script or an executable, that implements a flow step by using, creating, or manipulating information described in IP-XACT files. A **generator chain** documents such a sequence of flow steps by describing for each generator in the chain

- a URL to access the tool and
- input argument names and values to be provided to the tool.

The purpose of a **catalog** is to manage collections of IP-XACT files by documenting the location of IP-XACT files and the identifiers of the IP-XACT elements documented in those files. For each of the mentioned IP-XACT document types, a **catalog** documents

- a URL to an IP-XACT file and
- the identifier of the element that is described in that IP-XACT file.

To demonstrate these IP-XACT concepts on a HDL example, we use the Inter-IC Sound (IIS or I2S) example shown in [Figure 3.1](#).

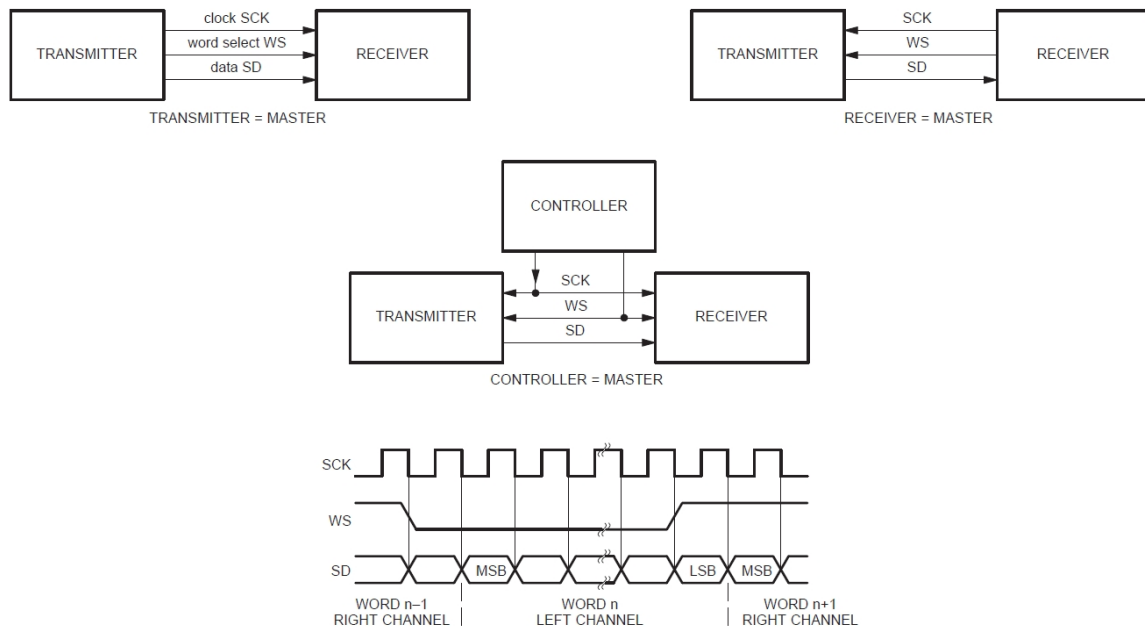


Figure 3.1—Basic I2S protocol and topologies

The basic topologies contain the following components:

- Transmitter in master mode,
- Transmitter in slave mode,
- Receiver in master mode,
- Receiver in slave mode, and
- Controller.

An I2S protocol consists of three signals named SCK (serial clock), WS (word select), and SD (serial data). A component that generates the SCK and WS signals is a master; a component that receives those signals is a slave. For each of the mentioned components, we have Verilog module declarations.

Example 3.1: Module master_transmitter

```
module master_transmitter(sck, ws, sd);  
output wire sck;  
output wire ws;  
output wire sd;  
endmodule
```

Example 3.2: Module slave_transmitter

```
module slave_transmitter(sck, ws, sd);  
input wire sck;  
input wire ws;  
output wire sd;  
endmodule
```

Example 3.3: Module master_receiver

```
module master_receiver(sck, ws, sd);  
output wire sck;  
output wire ws;  
input wire sd;  
endmodule
```

Example 3.4: Module slave_receiver

```
module slave_receiver(sck, ws, sd);  
input wire sck;  
input wire ws;  
input wire sd;  
endmodule
```

Example 3.5: Module controller

```
module controller(sck, ws);  
output wire sck;  
output wire ws;  
endmodule
```

Each Verilog module is described as a single view in a single component. For instance, IP-XACT component `master_transmitter` contains a view describing the location of the Verilog file `master_transmitter.v`, containing the module declaration, as well as information on the contents of that Verilog file such as the HDL language Verilog and the module name `master_transmitter`. The IP-XACT component also describes the ports with their names and directions.

The three I2S topologies shown in [Figure 3.1](#) in which the transmitter, receiver, and controller are masters, can be represented in Verilog as shown in [Example 3.6](#), [Example 3.7](#), and [Example 3.8](#), respectively.

Example 3.6: Module transmitter_is_master

```
module transmitter_is_master;  
  
wire u_master_transmitter_sck_sig;  
wire u_master_transmitter_ws_sig;  
wire u_master_transmitter_sd_sig;  
  
master_transmitter u_master_transmitter (  
    .sck( u_master_transmitter_sck_sig ),  
    .ws( u_master_transmitter_ws_sig ),  
    .sd( u_master_transmitter_sd_sig )  
);  
  
slave_receiver u_slave_receiver (  
    .sck( u_master_transmitter_sck_sig ),  
    .ws( u_master_transmitter_ws_sig ),  
    .sd( u_master_transmitter_sd_sig )  
);
```

```
endmodule
```

Example 3.7: Module receiver_is_master

```
module receiver_is_master;

wire u_master_receiver_sck_sig;
wire u_master_receiver_ws_sig;
wire u_slave_transmitter_sd_sig;

master_receiver u_master_receiver (
    .sck( u_master_receiver_sck_sig ),
    .ws( u_master_receiver_ws_sig ),
    .sd( u_slave_transmitter_sd_sig )
);

slave_transmitter u_slave_transmitter (
    .sck( u_master_receiver_sck_sig ),
    .ws( u_master_receiver_ws_sig ),
    .sd( u_slave_transmitter_sd_sig )
);

endmodule
```

Example 3.8: Module controller_is_master

```
module controller_is_master;

wire u_controller_sck_sig;
wire u_controller_ws_sig;
wire u_slave_transmitter_sd_sig;

controller u_controller (
    .sck( u_controller_sck_sig ),
    .ws( u_controller_ws_sig )
);

slave_transmitter u_slave_transmitter (
    .sck( u_controller_sck_sig ),
    .ws( u_controller_ws_sig ),
    .sd( u_slave_transmitter_sd_sig )
);

slave_receiver u_slave_receiver (
    .sck( u_controller_sck_sig ),
    .ws( u_controller_ws_sig ),
    .sd( u_slave_transmitter_sd_sig )
);

endmodule
```

These module declarations are also described as views in the IP-XACT components `transmitter_is_master`, `receiver_is_master`, and `controller_is_master`, respectively. The internal structure of these three modules is described in three IP-XACT designs. The design for `transmitter_is_master` instantiates components `master_transmitter` and `slave_receiver` and connects the `sck`, `ws`, and `sd` ports of component instances `u_master_transmitter` and `u_slave_receiver`. The design configuration for that design describes the views that are selected for those component instances from which the module name can be derived for each component instance. Both the design and the design configuration can be referenced from the view in the component `transmitter_is_master`. As a result, that view can be used to generate the module `transmitter_is_master` in Verilog. The exact details are explained in the following sections.

3.1 Basic Topics

This section explains the IP-XACT document types **component**, **design**, **design configuration**, **bus definition**, and **abstraction definition**. These document types are presented first in line with the introduction given in the previous section. Subsequently, more details of **component** and **design** are presented in the

following sections addressing component bus interfaces, design interconnections between bus interfaces, component memory maps and registers, and component address spaces and bus interface bridges to explain how IP-XACT unifies logical interconnect (system memory map) and physical interconnect (structural HDL) in a single description.

3.1.1 Component

In this section, component basics are explained, i.e.,

- file sets with files, and
- model with instantiations, views, and ports.

The explanation is organized as follows. A **component** documents one or more implementations of an IP. Examples of such implementations are different Verilog module declarations describing the interface as black-box view for synthesis, the behavioral code as golden reference view for simulation and verification, the synthesizable code as input for synthesis, and the gate-level netlist as output from synthesis. These different implementations are available in different files. The location of these files is documented in different file sets. The different file sets are associated with different instantiations that describe the meta-data extracted from those files such as module names. The different instantiations are associated with different views of the component such that each view corresponds to one implementation. The component ports are described once. The component ports can be tailored to specific views if needed, for instance to add language-specific type information.

For the explanation, we re-use the Verilog module named `master_transmitter` of [Example 3.1](#), but with a slightly different interface to explain parameters and wire types as shown in [Example 3.9](#). For simplicity, we only explain the interface view here; the other views can be described in a similar manner.

Example 3.9: Module declaration `master_transmitter` with parameter.

```
module master_transmitter(sck, ws, sd);  
  
output wire sck;  
output wire ws;  
output reg sd;  
  
parameter my_param = 0;  
  
endmodule
```

The code of this module is assumed to be located in the following file.

```
<workdir>/data/ip_lib/master_transmitter/INTERFACE/  
master_transmitter.v
```

[Example 3.10](#) shows a possible IP-XACT component description for this module.

Example 3.10: Component `master_transmitter` with module parameter

```
<?xml version="1.0" encoding="UTF-8"?>  
<ipxact:component xmlns:ipxact="http://www.accellera.org/XMLSchema/IPXACT/1685-2014"  
  xmlns:xsi="http://www.w3.org/2001/XMLSchema-instance" xsi:schemaLocation="http://www.accellera.org/  
  XMLSchema/IPXACT/1685-2014 http://www.accellera.org/XMLSchema/IPXACT/1685-2014/index.xsd">  
  <ipxact:vendor>accellera.org</ipxact:vendor>  
  <ipxact:library>i2s</ipxact:library>  
  <ipxact:name>master_transmitter</ipxact:name>  
  <ipxact:version>1.0</ipxact:version>  
  <ipxact:model>  
    <ipxact:views>  
      <ipxact:view>  
        <ipxact:name>interface</ipxact:name>  
        <ipxact:componentInstantiationRef>hdl-interface</ipxact:componentInstantiationRef>  
      </ipxact:view>  
    </ipxact:views>
```

```

<ipxact:instantiations>
  <ipxact:componentInstantiation>
    <ipxact:name>hdl-interface</ipxact:name>
    <ipxact:language>verilog</ipxact:language>
    <ipxact:libraryName>master_transmitterlib</ipxact:libraryName>
    <ipxact:moduleName>master_transmitter</ipxact:moduleName>
    <ipxact:moduleParameters>
      <ipxact:moduleParameter parameterId="my_param" resolve="user" type="longint">
        <ipxact:name>my_param</ipxact:name>
        <ipxact:value>0</ipxact:value>
      </ipxact:moduleParameter>
    </ipxact:moduleParameters>
    <ipxact:fileSetRef>
      <ipxact:localName>fs-interface</ipxact:localName>
    </ipxact:fileSetRef>
  </ipxact:componentInstantiation>
</ipxact:instantiations>
<ipxact:ports>
  <ipxact:port>
    <ipxact:name>sck</ipxact:name>
    <ipxact:wire>
      <ipxact:direction>out</ipxact:direction>
    </ipxact:wire>
  </ipxact:port>
  <ipxact:port>
    <ipxact:name>ws</ipxact:name>
    <ipxact:wire>
      <ipxact:direction>out</ipxact:direction>
    </ipxact:wire>
  </ipxact:port>
  <ipxact:port>
    <ipxact:name>sd</ipxact:name>
    <ipxact:wire>
      <ipxact:direction>out</ipxact:direction>
      <ipxact:wireTypeDefs>
        <ipxact:wireTypeDef>
          <ipxact:typeName constrained="false">reg</ipxact:typeName>
          <ipxact:viewRef>interface</ipxact:viewRef>
        </ipxact:wireTypeDef>
      </ipxact:wireTypeDefs>
    </ipxact:wire>
  </ipxact:port>
</ipxact:ports>
</ipxact:model>
<ipxact:fileSets>
  <ipxact:fileSet>
    <ipxact:name>fs-interface</ipxact:name>
    <ipxact:file>
      <ipxact:name>../INTERFACE/master_transmitter.v</ipxact:name>
      <ipxact:fileType>verilogSource</ipxact:fileType>
      <ipxact:logicalName>master_transmitterlib</ipxact:logicalName>
    </ipxact:file>
  </ipxact:fileSet>
</ipxact:fileSets>
</ipxact:component>

```

Every IP-XACT description starts with the type that is specified using a container element. In this example, the container element is **component**. Subsequently, the identifier for the type is specified using four elements: **vendor**, **library**, **name**, and **version** (VLNV). In this example, the values of these elements are `accellera.org`, `i2s`, `master_transmitter`, and `1.0`, respectively. Typically, the value of the element **vendor** indicates the organization owning the module and the value of the element **name** indicates the name of the module.

Example 3.11: Component vendor, library, name, and version (VLNV)

```

<ipxact:component xmlns:ipxact="http://www.accellera.org/XMLSchema/IPXACT/1685-2014"
  xmlns:xsi="http://www.w3.org/2001/XMLSchema-instance" xsi:schemaLocation="http://www.accellera.org/
  XMLSchema/IPXACT/1685-2014 http://www.accellera.org/XMLSchema/IPXACT/1685-2014/index.xsd">
  <ipxact:vendor>accellera.org</ipxact:vendor>
  <ipxact:library>i2s</ipxact:library>
  <ipxact:name>master_transmitter</ipxact:name>
  <ipxact:version>1.0</ipxact:version>
</ipxact:component>

```

Next, we focus on the file set description. File sets are located in the container element **fileSets**. Multiple file sets can be described using the container element **fileSet**. Each **fileSet** element has a **name** to identify it and a list of files. Each **file** has a **name**. The value of that name element is a path to a source file, in this case the file containing the verilog module definition. The path can be a relative path with respect to the location of the IP-XACT XML file or an absolute path possibly using an environment variable. In this example, we assume that the IP-XACT file is located in the following directory.

```
<workdir>/data/ip_lib/master_transmitter/METADATA
```

Hence, the value of the element **name** in element **file** is ../INTERFACE/master_transmitter.v. For reuse, it is advised to use relative paths or paths with environment variables. Each **file** also has a **fileType** and a **logicalName**. The **fileType** indicates the type of the file. The **logicalName** indicates the library in which the file is compiled.

Example 3.12: Component fileSets

```
<ipxact:fileSets>
  <ipxact:fileSet>
    <ipxact:name>fs-interface</ipxact:name>
    <ipxact:file>
      <ipxact:name>../INTERFACE/master_transmitter.v</ipxact:name>
      <ipxact:fileType>verilogSource</ipxact:fileType>
      <ipxact:logicalName>master_transmitterlib</ipxact:logicalName>
    </ipxact:file>
  </ipxact:fileSet>
</ipxact:fileSets>
```

A **fileSet** is used to describe the files that implement a **componentInstantiation**. The container element **instantiations** contains a **componentInstantiation** element that describes the information that is needed to use the Verilog module declaration of this **component**. The **componentInstantiation** element has a **name** to identify the element. The **language** indicates the hardware description language that is used. The **libraryName** indicates in which library the module is compiled. The **moduleName** indicates the name of the module. The **moduleParameters** is a container element for multiple **moduleParameter** elements. Each **moduleParameter** describes a parameter of the module. The **name** element of the **moduleParameter** is equal to name of the HDL parameter. The **value** element of the **moduleParameter** is equal to the value of the HDL parameter. The HDL parameter value is a default value and also the **moduleParameter** value is a default value. The actual value of this **moduleParameter** can be set if the module is instantiated by using a reference to the value of attribute **parameterId** as shown later. Finally, the **fileSetRef** element is a list of references to local names of file sets. Each reference is contained in a **localName** element. In this example, the **fileSet** named fs-interface implements the **componentInstantiation** named hdl-interface.

Example 3.13: Component instantiations

```
<ipxact:instantiations>
  <ipxact:componentInstantiation>
    <ipxact:name>hdl-interface</ipxact:name>
    <ipxact:language>verilog</ipxact:language>
    <ipxact:libraryName>master_transmitterlib</ipxact:libraryName>
    <ipxact:moduleName>master_transmitter</ipxact:moduleName>
    <ipxact:moduleParameters>
      <ipxact:moduleParameter parameterId="my_param" resolve="user" type="longint">
        <ipxact:name>my_param</ipxact:name>
        <ipxact:value>0</ipxact:value>
      </ipxact:moduleParameter>
    </ipxact:moduleParameters>
    <ipxact:fileSetRef>
      <ipxact:localName>fs-interface</ipxact:localName>
    </ipxact:fileSetRef>
  </ipxact:componentInstantiation>
</ipxact:instantiations>
```

Multiple instantiations can be grouped together in a **view**. The container element **views** can have multiple **view** elements. Each **view** has a **name** to identify the element. A **view** can reference a **componentInstantiation**,

a **designInstantiation**, and a **designConfigurationInstantiation**. The last two elements are described in Section [3.1.2](#). In our example, there is a **componentInstantiationRef** element that references the **componentInstantiation** named hdl-interface.

Example 3.14: Component views

```
<ipxact:views>
  <ipxact:view>
    <ipxact:name>interface</ipxact:name>
    <ipxact:componentInstantiationRef>hdl-interface</ipxact:componentInstantiationRef>
  </ipxact:view>
</ipxact:views>
```

Finally, a **component** contains **ports**. Each **port** element has a **name** to identify the element. Typically, the value of the **name** element is equal to the HDL port name. Furthermore, a **port** has a **wire** or **transactional** element depending on whether the HDL port is a signal-level port or a transaction-level port. In this example, there are **wire** ports. A **wire** port has a **direction** indicating the direction of the port. Possible values are in, out, inout, and phantom. The value phantom is discussed later in Section [3.1.4](#). The other values directly match with directions in HDLs. A **wire** port can also have a container element **wireTypeDefs** that contains type definitions for that **wire** port. Type definitions are needed if the port type is different from the default port type (wire for Verilog). In the example, the **port** named sd is of type reg. For this reason, it contains a **wireTypeDef** indicating the **typeName** and the **viewRef** indicating the view for which the **typeName** applies.

Example 3.15: Component ports

```
<ipxact:ports>
  <ipxact:port>
    <ipxact:name>sck</ipxact:name>
    <ipxact:wire>
      <ipxact:direction>out</ipxact:direction>
    </ipxact:wire>
  </ipxact:port>
  <ipxact:port>
    <ipxact:name>ws</ipxact:name>
    <ipxact:wire>
      <ipxact:direction>out</ipxact:direction>
    </ipxact:wire>
  </ipxact:port>
  <ipxact:port>
    <ipxact:name>sd</ipxact:name>
    <ipxact:wire>
      <ipxact:direction>out</ipxact:direction>
      <ipxact:wireTypeDefs>
        <ipxact:wireTypeDef>
          <ipxact:typeName constrained="false">reg</ipxact:typeName>
          <ipxact:viewRef>interface</ipxact:viewRef>
        </ipxact:wireTypeDef>
      </ipxact:wireTypeDefs>
    </ipxact:wire>
  </ipxact:port>
</ipxact:ports>
```

This completes the description of basic component concepts for now. Additional basic concepts such as component bus interfaces, memory maps, and address spaces are explained later in Sections [3.1.4](#), [3.1.5](#), and [3.1.6](#), respectively.

3.1.2 Design and Design Configuration

In this section, design basics are explained, i.e.,

- component instances with configurable elements and
- adhoc connections,

and design configuration basics are explained, i.e., view configurations.

The explanation is organized as follows. A **design** documents an internal structure of an IP. An example is a structural description between module instances in Verilog. A **design** describes the module instances as component instances. A **design** does not describe the module declarations that should be used for those component instances. This is described by a **design configuration** by configuring a view for each component instance. A **design** also describes component parameter values for component instances. If a component has view-specific parameters, then those parameter values are described in a **design configuration**. Both cases are described in Section [3.2.3](#) explaining parameter passing. This example contains view-specific **moduleParameters**. Finally, a **design** describes connections between component instances. This section describes connections between ports of component instances. Section [3.1.4](#) describes connections between bus interfaces of component instances.

Let's re-use the Verilog module named `slave_receiver` as shown before in [Example 3.4](#) and in [Example 3.16](#).

Example 3.16: Module `slave_receiver`

```
module slave_receiver(sck, ws, sd);

input wire sck;
input wire ws;
input wire sd;

endmodule
```

The code of this module is assumed to be located in the following file.

```
<workdir>/data/ip_lib/slave_receiver/INTERFACE/slave_receiver.v
```

An IP-XACT component description can be created for this module in the same way as for the `master_transmitter` module.

The `master_transmitter` module and the `slave_receiver` module are used to create the module named `transmitter_is_master` in [Example 3.17](#) which was shown before, but is slightly modified due to the parameter in the `master_transmitter` module.

Example 3.17: Module `transmitter_is_master`

```
module transmitter_is_master;

wire u_master_transmitter_sck_sig;
wire u_master_transmitter_ws_sig;
wire u_master_transmitter_sd_sig;

master_transmitter #(
    .my_param (1)
)
u_master_transmitter (
    .sck( u_master_transmitter_sck_sig ),
    .ws( u_master_transmitter_ws_sig ),
    .sd( u_master_transmitter_sd_sig )
);

slave_receiver u_slave_receiver (
    .sck( u_master_transmitter_sck_sig ),
    .ws( u_master_transmitter_ws_sig ),
    .sd( u_master_transmitter_sd_sig )
);

endmodule
```

[Example 3.18](#) shows a possible IP-XACT component description for this module.

Example 3.18: Component `transmitter_is_master`

```
<?xml version="1.0" encoding="UTF-8"?>
```

```

<ipxact:component xmlns:ipxact="http://www.accellera.org/XMLSchema/IPXACT/1685-2014"
  xmlns:xsi="http://www.w3.org/2001/XMLSchema-instance" xsi:schemaLocation="http://www.accellera.org/
  XMLSchema/IPXACT/1685-2014 http://www.accellera.org/XMLSchema/IPXACT/1685-2014/index.xsd">
  <ipxact:vendor>accellera.org</ipxact:vendor>
  <ipxact:library>i2s</ipxact:library>
  <ipxact:name>transmitter_is_master</ipxact:name>
  <ipxact:version>1.0</ipxact:version>
  <ipxact:model>
    <ipxact:views>
      <ipxact:view>
        <ipxact:name>rtl</ipxact:name>
        <ipxact:componentInstantiationRef>hdl-rtl</ipxact:componentInstantiationRef>
        <ipxact:designInstantiationRef>hdl-rtl_design</ipxact:designInstantiationRef>
        <ipxact:designConfigurationInstantiationRef>hdl-rtl_design_configuration</
ipxact:designConfigurationInstantiationRef>
      </ipxact:view>
    </ipxact:views>
    <ipxact:instantiations>
      <ipxact:componentInstantiation>
        <ipxact:name>hdl-rtl</ipxact:name>
        <ipxact:language>verilog</ipxact:language>
        <ipxact:libraryName>transmitter_is_masterlib</ipxact:libraryName>
        <ipxact:moduleName>transmitter_is_master</ipxact:moduleName>
        <ipxact:fileSetRef>
          <ipxact:localName>fs-rtl</ipxact:localName>
        </ipxact:fileSetRef>
      </ipxact:componentInstantiation>
      <ipxact:designInstantiation>
        <ipxact:name>hdl-rtl_design</ipxact:name>
        <ipxact:designRef vendor="accellera.org" library="i2s" name="transmitter_is_master_rtl"
version="1.0"/>
      </ipxact:designInstantiation>
      <ipxact:designConfigurationInstantiation>
        <ipxact:name>hdl-rtl_design_configuration</ipxact:name>
        <ipxact:designConfigurationRef vendor="accellera.org" library="i2s"
name="transmitter_is_master_rtl_cfg" version="1.0"/>
      </ipxact:designConfigurationInstantiation>
    </ipxact:instantiations>
  </ipxact:model>
  <ipxact:fileSets>
    <ipxact:fileSet>
      <ipxact:name>fs-rtl</ipxact:name>
      <ipxact:file>
        <ipxact:name>../RTL/transmitter_is_master_rtl.v</ipxact:name>
        <ipxact:fileType>verilogSource</ipxact:fileType>
        <ipxact:logicalName>transmitter_is_masterlib</ipxact:logicalName>
      </ipxact:file>
    </ipxact:fileSet>
  </ipxact:fileSets>
</ipxact:component>

```

This IP-XACT component description is similar to the IP component descriptions for the master_transmitter and slave_receiver modules. The only difference is that it contains a **designInstantiation** and a **designConfigurationInstantiation**. Both elements have a **name** to identify the elements. Both elements also have a reference to a design and a design configuration, respectively, using the **vendor**, **library**, **name**, **version** identifier. These references refer to an IP-XACT design and an IP-XACT design configuration that are described in other files. These descriptions are discussed in the next paragraphs. The new **designInstantiation** and a **designConfigurationInstantiation** are referenced from the **view** named rtl.

An IP-XACT design describes the structure of a component in terms of instances of sub-components and the connectivity between those instances. A possible IP-XACT design description for the transmitter_is_master module of [Example 3.17](#) is shown in [Example 3.19](#).

Example 3.19: Design transmitter_is_master_rtl

```

<?xml version="1.0" encoding="UTF-8"?>
<ipxact:design xmlns:ipxact="http://www.accellera.org/XMLSchema/IPXACT/1685-2014" xmlns:xsi="http://
www.w3.org/2001/XMLSchema-instance" xsi:schemaLocation="http://www.accellera.org/XMLSchema/
IPXACT/1685-2014 http://www.accellera.org/XMLSchema/IPXACT/1685-2014/index.xsd">
  <ipxact:vendor>accellera.org</ipxact:vendor>
  <ipxact:library>i2s</ipxact:library>

```



```

<ipxact:name>transmitter_is_master_rtl</ipxact:name>
<ipxact:version>1.0</ipxact:version>
<ipxact:componentInstances>
  <ipxact:componentInstance>
    <ipxact:instanceName>u_master_transmitter</ipxact:instanceName>
    <ipxact:componentRef vendor="accellera.org" library="i2s" name="master_transmitter"
version="1.0"/>
  </ipxact:componentInstance>
  <ipxact:componentInstance>
    <ipxact:instanceName>u_slave_receiver</ipxact:instanceName>
    <ipxact:componentRef vendor="accellera.org" library="i2s" name="slave_receiver" version="1.0"/>
  </ipxact:componentInstance>
</ipxact:componentInstances>
<ipxact:adHocConnections>
  <ipxact:adHocConnection>
    <ipxact:name>u_master_transmitter_sck_u_slave_receiver_sck</ipxact:name>
    <ipxact:portReferences>
      <ipxact:internalPortReference componentRef="u_master_transmitter" portRef="sck"/>
      <ipxact:internalPortReference componentRef="u_slave_receiver" portRef="sck"/>
    </ipxact:portReferences>
  </ipxact:adHocConnection>
  <ipxact:adHocConnection>
    <ipxact:name>u_master_transmitter_ws_u_slave_receiver_ws</ipxact:name>
    <ipxact:portReferences>
      <ipxact:internalPortReference componentRef="u_master_transmitter" portRef="ws"/>
      <ipxact:internalPortReference componentRef="u_slave_receiver" portRef="ws"/>
    </ipxact:portReferences>
  </ipxact:adHocConnection>
  <ipxact:adHocConnection>
    <ipxact:name>u_master_transmitter_sd_u_slave_receiver_sd</ipxact:name>
    <ipxact:portReferences>
      <ipxact:internalPortReference componentRef="u_master_transmitter" portRef="sd"/>
      <ipxact:internalPortReference componentRef="u_slave_receiver" portRef="sd"/>
    </ipxact:portReferences>
  </ipxact:adHocConnection>
</ipxact:adHocConnections>
</ipxact:design>

```

This IP-XACT description starts with the container element **design**. Subsequently, the identifier for the type is specified using the four elements: **vendor**, **library**, **name**, and **version**. In this example, the values of these elements are accellera.org, i2s, transmitter_is master_rtl, and 1.0, respectively.

Example 3.20: Design vendor, library, name, and value

```

<ipxact:design xmlns:ipxact="http://www.accellera.org/XMLSchema/IPXACT/1685-2014" xmlns:xsi="http://
www.w3.org/2001/XMLSchema-instance" xsi:schemaLocation="http://www.accellera.org/XMLSchema/
IPXACT/1685-2014 http://www.accellera.org/XMLSchema/IPXACT/1685-2014/index.xsd">
  <ipxact:vendor>accellera.org</ipxact:vendor>
  <ipxact:library>i2s</ipxact:library>
  <ipxact:name>transmitter_is_master_rtl</ipxact:name>
  <ipxact:version>1.0</ipxact:version>
</ipxact:design>

```

The element **componentInstances** is a container element for all component instances in the **design**. Each **componentInstance** has an **instanceName** to identify the instance. The **instanceName** matches with the HDL instance name. Furthermore, a **componentInstance** has a **componentRef** that references a **component** using the **vendor**, **library**, **name**, **version** identifier. The **componentRef** describes the (component) type of the instance.

Example 3.21: Design componentInstances

```

<ipxact:componentInstances>
  <ipxact:componentInstance>
    <ipxact:instanceName>u_master_transmitter</ipxact:instanceName>
    <ipxact:componentRef vendor="accellera.org" library="i2s" name="master_transmitter"
version="1.0"/>
  </ipxact:componentInstance>
  <ipxact:componentInstance>
    <ipxact:instanceName>u_slave_receiver</ipxact:instanceName>
    <ipxact:componentRef vendor="accellera.org" library="i2s" name="slave_receiver" version="1.0"/>
  </ipxact:componentInstance>
</ipxact:componentInstances>

```

```
</ipxact:componentInstance>
</ipxact:componentInstances>
```

The element **adHocConnections** is a container element for all adhoc connections in the **design**. Each **adHocConnection** has a **name** to identify the element. Furthermore, each **adHocConnection** has **portReferences** which is a container element for internal and external port references. An **internalPortReference** is a reference to a **port** of a **componentInstance**. An **externalPortReference** is a reference to a port at the boundary of the **design**. Typically, this port is described in the **component** that contains a **designInstantiation** referencing this design. An **externalPortReference** is not shown in this example.

Example 3.22: Design adhocConnections

```
<ipxact:adHocConnections>
  <ipxact:adHocConnection>
    <ipxact:name>u_master_transmitter_sck_u_slave_receiver_sck</ipxact:name>
    <ipxact:portReferences>
      <ipxact:internalPortReference componentRef="u_master_transmitter" portRef="sck"/>
      <ipxact:internalPortReference componentRef="u_slave_receiver" portRef="sck"/>
    </ipxact:portReferences>
  </ipxact:adHocConnection>
  <ipxact:adHocConnection>
    <ipxact:name>u_master_transmitter_ws_u_slave_receiver_ws</ipxact:name>
    <ipxact:portReferences>
      <ipxact:internalPortReference componentRef="u_master_transmitter" portRef="ws"/>
      <ipxact:internalPortReference componentRef="u_slave_receiver" portRef="ws"/>
    </ipxact:portReferences>
  </ipxact:adHocConnection>
  <ipxact:adHocConnection>
    <ipxact:name>u_master_transmitter_sd_u_slave_receiver_sd</ipxact:name>
    <ipxact:portReferences>
      <ipxact:internalPortReference componentRef="u_master_transmitter" portRef="sd"/>
      <ipxact:internalPortReference componentRef="u_slave_receiver" portRef="sd"/>
    </ipxact:portReferences>
  </ipxact:adHocConnection>
</ipxact:adHocConnections>
```

An IP-XACT design configuration describes the configuration of a design in terms of view configurations for component instances. [Example 3.23](#) shows a possible IP-XACT design configuration description for the transmitter_is_master module specifying for each component instance the component view that is used to describe the component instance module name. These module names match the module names used in [Example 3.17](#).

Example 3.23: DesignConfiguration transmitter_is_master_rtl_cfg

```
<?xml version="1.0" encoding="UTF-8"?>
<ipxact:designConfiguration xmlns:ipxact="http://www.accellera.org/XMLSchema/IPXACT/1685-2014"
  xmlns:xsi="http://www.w3.org/2001/XMLSchema-instance" xsi:schemaLocation="http://www.accellera.org/
  XMLSchema/IPXACT/1685-2014 http://www.accellera.org/XMLSchema/IPXACT/1685-2014/index.xsd">
  <ipxact:vendor>accellera.org</ipxact:vendor>
  <ipxact:library>i2s</ipxact:library>
  <ipxact:name>transmitter_is_master_rtl_cfg</ipxact:name>
  <ipxact:version>1.0</ipxact:version>
  <ipxact:designRef vendor="accellera.org" library="i2s" name="transmitter_is_master_rtl"
  version="1.0"/>
  <ipxact:viewConfiguration>
    <ipxact:instanceName>u_master_transmitter</ipxact:instanceName>
    <ipxact:view viewRef="interface">
      <ipxact:configurableElementValues>
        <ipxact:configurableElementValue referenceId="my_param">1</ipxact:configurableElementValue>
      </ipxact:configurableElementValues>
    </ipxact:view>
  </ipxact:viewConfiguration>
  <ipxact:viewConfiguration>
    <ipxact:instanceName>u_slave_receiver</ipxact:instanceName>
    <ipxact:view viewRef="interface"/>
  </ipxact:viewConfiguration>
</ipxact:designConfiguration>
```

This IP-XACT description starts with the container element **designConfiguration**. Subsequently, the identifier for the type is specified using the four elements: **vendor**, **library**, **name**, and **version**. In this example, the values of these elements are `accellera.org`, `i2s`, `transmitter_is_master_rtl_cfg`, and `1.0`, respectively.

Example 3.24: DesignConfiguration vendor, library, name, and version

```
<ipxact:designConfiguration xmlns:ipxact="http://www.accellera.org/XMLSchema/IPXACT/1685-2014"
  xmlns:xsi="http://www.w3.org/2001/XMLSchema-instance" xsi:schemaLocation="http://www.accellera.org/
 /XMLSchema/IPXACT/1685-2014 http://www.accellera.org/XMLSchema/IPXACT/1685-2014/index.xsd">
  <ipxact:vendor>accellera.org</ipxact:vendor>
  <ipxact:library>i2s</ipxact:library>
  <ipxact:name>transmitter_is_master_rtl_cfg</ipxact:name>
  <ipxact:version>1.0</ipxact:version>
</ipxact:designConfiguration>
```

The next element is **designRef**. This is an optional element to reference a **design** indicating to which design this design configuration applies. It is optional because the **component view** element can contain both a **designInstantiation** and a **designConfigurationInstantiation** which also indicates that the referenced **designConfiguration** applies to the referenced **design**.

Example 3.25: DesignConfiguration designRef

```
<ipxact:designRef vendor="accellera.org" library="i2s" name="transmitter_is_master_rtl"
  version="1.0"/>
```

A design can contain multiple **viewConfiguration** elements. A **viewConfiguration** element describes which **component view** applies to which **componentInstance**. Each **viewConfiguration** contains an **instanceName** and a **viewRef**. The **instanceName** references a **componentInstance** by its **instanceName** element to indicate to which **componentInstance** the **viewConfiguration** applies. The **viewRef** references a **view** by its **name** that exists in the **component** of the referenced **componentInstance**. The **view** element can have **configurableElementValues**. Each **configurableElementValue** has an attribute **referenceId** of which the value must match with a **parameterId** that is defined in the referenced component. The value of the **configurableElementValue** describes the actual value of the referenced parameter for this instance.

Example 3.26: DesignConfiguration viewConfigurations

```
<ipxact:viewConfiguration>
  <ipxact:instanceName>u_master_transmitter</ipxact:instanceName>
  <ipxact:view viewRef="interface">
    <ipxact:configurableElementValues>
      <ipxact:configurableElementValue referenceId="my_param">1</ipxact:configurableElementValue>
    </ipxact:configurableElementValues>
  </ipxact:view>
</ipxact:viewConfiguration>
<ipxact:viewConfiguration>
  <ipxact:instanceName>u_slave_receiver</ipxact:instanceName>
  <ipxact:view viewRef="interface"/>
</ipxact:viewConfiguration>
```

Although not shown in this example, a **design componentInstance componentRef** can have **configurableElementValues** similar to a **designConfiguration viewConfiguration view**. The **viewConfiguration view configurableElementValues** apply to parameters defined in **componentInstantiation** and **designConfigurationInstantiation**. The **componentInstance componentRef configurableElementValues** apply to all parameters that are defined outside of **componentInstantiation** and **designConfigurationInstantiation**.

This completes the description of basic design and design configuration concepts. Additional concepts such as interconnections are described in Section [3.1.4](#).

3.1.3 Bus and Abstraction Definition

Bus and abstraction definitions define interface types for hardware communication protocols. To explain these concepts, we use the example of the Inter-IC Sound (IIS or I2S) protocol and topologies introduced in [Figure 3.1](#). Recall that the I2S protocol consists of three signals named SCK (serial clock), WS (word select), and SD (serial data). However, these signals only exist in a signal-level representation of the I2S protocol. To enable multiple representations of the same interface, for instance at different levels of abstraction, an interface type definition is split into a bus definition and one or more abstraction definitions. A bus definition describes properties of the bus, while an abstraction definition describes properties of the bus representation.

[Example 3.27](#) shows a possible bus definition for I2S.

Example 3.27: BusDefinition I2S

```
<ipxact:busDefinition xmlns:ipxact="http://www.accellera.org/XMLSchema/IPXACT/1685-2014"
  xmlns:xsi="http://www.w3.org/2001/XMLSchema-instance" xsi:schemaLocation="http://www.accellera.org/
XMLSchema/IPXACT/1685-2014 http://www.accellera.org/XMLSchema/IPXACT/1685-2014/index.xsd">
  <ipxact:vendor>accellera.org</ipxact:vendor>
  <ipxact:library>i2s</ipxact:library>
  <ipxact:name>I2S</ipxact:name>
  <ipxact:version>1.1</ipxact:version>
  <ipxact:directConnection>true</ipxact:directConnection>
  <ipxact:isAddressable>false</ipxact:isAddressable>
  <ipxact:description>I2S (Inter-IC Sound) bus definition</ipxact:description>
</ipxact:busDefinition>
```

This IP-XACT description starts with the container element **busDefinition**. Subsequently, the identifier for the type is specified using the four elements: **vendor**, **library**, **name**, and **version**. In this example, the values of these elements are `accellera.org`, `i2s`, `I2S`, and `1.1`, respectively. Additional elements shown in this example **busDefinition** are **directConnection**, **isAddressable**, and **description**. The element **directConnection** indicates if direct connections from master to slave bus interfaces are allowed. For many buses, direct connections are allowed. For asymmetric buses, such as AHB, the value of **directConnection** can be set to false to indicate that a master cannot be connected directly to a slave. The element **isAddressable** indicates if the bus is addressable meaning the memory maps of slaves are mapped in the address spaces of masters according to the IP-XACT addressing scheme that is explained in the IEEE 1685 standard. For serial buses, such as I2S, this is not the case and the value of **isAddressable** is false. The element **description** provides a human-readable description for the **busDefinition**.

[Example 3.28](#) shows a possible abstraction definition for I2S.

Example 3.28: AbstractionDefinition I2S

```
<ipxact:abstractionDefinition xmlns:ipxact="http://www.accellera.org/XMLSchema/IPXACT/1685-2014"
  xmlns:xsi="http://www.w3.org/2001/XMLSchema-instance" xsi:schemaLocation="http://www.accellera.org/
XMLSchema/IPXACT/1685-2014 http://www.accellera.org/XMLSchema/IPXACT/1685-2014/index.xsd">
  <ipxact:vendor>accellera.org</ipxact:vendor>
  <ipxact:library>i2s</ipxact:library>
  <ipxact:name>I2S_rtl</ipxact:name>
  <ipxact:version>1.1</ipxact:version>
  <ipxact:busType vendor="accellera.org" library="i2s" name="I2S" version="1.1"/>
  <ipxact:ports>
    <ipxact:port>
      <ipxact:logicalName>SCK</ipxact:logicalName>
      <ipxact:description>Continuous Serial Clock</ipxact:description>
      <ipxact:wire>
        <ipxact:qualifier>
          <ipxact:isClock>true</ipxact:isClock>
        </ipxact:qualifier>
        <ipxact:onMaster>
          <ipxact:presence>required</ipxact:presence>
          <ipxact:width>1</ipxact:width>
          <ipxact:direction>out</ipxact:direction>
        </ipxact:onMaster>
        <ipxact:onSlave>
          <ipxact:presence>required</ipxact:presence>
        </ipxact:onSlave>
      </ipxact:wire>
    </ipxact:port>
  </ipxact:ports>
```

```

        <ipxact:width>1</ipxact:width>
        <ipxact:direction>in</ipxact:direction>
      </ipxact:onSlave>
    </ipxact:wire>
  </ipxact:port>
<ipxact:port>
  <ipxact:logicalName>WS</ipxact:logicalName>
  <ipxact:description>Word Select</ipxact:description>
  <ipxact:wire>
    <ipxact:onMaster>
      <ipxact:presence>required</ipxact:presence>
      <ipxact:width>1</ipxact:width>
      <ipxact:direction>out</ipxact:direction>
    </ipxact:onMaster>
    <ipxact:onSlave>
      <ipxact:presence>required</ipxact:presence>
      <ipxact:width>1</ipxact:width>
      <ipxact:direction>in</ipxact:direction>
    </ipxact:onSlave>
  </ipxact:wire>
</ipxact:port>
<ipxact:port>
  <ipxact:logicalName>SD_IN</ipxact:logicalName>
  <ipxact:description>Serial Data from other device</ipxact:description>
  <ipxact:wire>
    <ipxact:qualifier>
      <ipxact:isData>true</ipxact:isData>
    </ipxact:qualifier>
    <ipxact:onMaster>
      <ipxact:presence>optional</ipxact:presence>
      <ipxact:width>1</ipxact:width>
      <ipxact:direction>in</ipxact:direction>
    </ipxact:onMaster>
    <ipxact:onSlave>
      <ipxact:presence>optional</ipxact:presence>
      <ipxact:width>1</ipxact:width>
      <ipxact:direction>out</ipxact:direction>
    </ipxact:onSlave>
  </ipxact:wire>
</ipxact:port>
<ipxact:port>
  <ipxact:logicalName>SD_OUT</ipxact:logicalName>
  <ipxact:description>Serial Data to other device</ipxact:description>
  <ipxact:wire>
    <ipxact:qualifier>
      <ipxact:isData>true</ipxact:isData>
    </ipxact:qualifier>
    <ipxact:onMaster>
      <ipxact:presence>optional</ipxact:presence>
      <ipxact:width>1</ipxact:width>
      <ipxact:direction>out</ipxact:direction>
    </ipxact:onMaster>
    <ipxact:onSlave>
      <ipxact:presence>optional</ipxact:presence>
      <ipxact:width>1</ipxact:width>
      <ipxact:direction>in</ipxact:direction>
    </ipxact:onSlave>
  </ipxact:wire>
</ipxact:port>
</ipxact:ports>
</ipxact:abstractionDefinition>

```

This IP-XACT description starts with the container element **abstractionDefinition**. Subsequently, the identifier for the type is specified using the four elements: **vendor**, **library**, **name**, and **version**. In this example, the values of these elements are `accellera.org`, `i2s`, `I2S_rtl`, and `1.1`, respectively. The postfix `"_rtl"` is typically used in the **name** to indicate that the abstraction definition is a signal-level representation.

Example 3.29: AbstractionDefinition vendor, library, name, and version

```

<ipxact:abstractionDefinition xmlns:ipxact="http://www.accellera.org/XMLSchema/IPXACT/1685-2014"
  xmlns:xsi="http://www.w3.org/2001/XMLSchema-instance" xsi:schemaLocation="http://www.accellera.org/
  XMLSchema/IPXACT/1685-2014 http://www.accellera.org/XMLSchema/IPXACT/1685-2014/index.xsd">
  <ipxact:vendor>accellera.org</ipxact:vendor>
  <ipxact:library>i2s</ipxact:library>

```

```
<ipxact:name>I2S_rtl</ipxact:name>
<ipxact:version>1.1</ipxact:version>
</ipxact:abstractionDefinition>
```

Additional elements in an **abstractionDefinition** are **busType** and **ports**. The element **busType** is a reference to a bus definition using the **vendor**, **library**, **name**, **version** identifier to indicate to which bus definition this abstraction definition applies to.

Example 3.30: AbstractionDefinition busType

```
<ipxact:busType vendor="accellera.org" library="i2s" name="I2S" version="1.1"/>
```

The element **ports** is a container element for multiple **port** elements. A **port** has a **logicalName** to identify the element. Often, a **logicalName** value matches the logical name of a signal in the definition of a communication protocol such as AMBA AHB. A **port** can have a **description** to provide a human-readable description for the **port**. Next, a **port** must have a **wire** element or a **transactional** element to indicate if the **port** is a signal-level port or a transaction-level port, respectively. In this example, all ports are wire ports. The **wire** element can contain a **qualifier** element to indicate if the **wire port** is a clock port, reset port, address port, or data port using the elements **isClock**, **isReset**, **isAddress**, and **isData**, respectively. Finally, the **wire port** can contain **onMaster**, **onSlave**, and **onSystem** elements that describe properties for the **port** in master, slave, and system bus interfaces, respectively. The properties that can be described are **presence**, **width**, and **direction**. The **presence** element can take values required, optional, and illegal indicating if the **port** is a required, optional, or illegal element in a bus interface port map. The **width** element describes the number of bits in the **port**. If **width** is not specified, then the number of bits in the port is not constrained. The **direction** element can take values in, out, and inout indicating the direction of the **port**.

Example 3.31: AbstractionDefinition ports

```
<ipxact:port>
  <ipxact:logicalName>SCK</ipxact:logicalName>
  <ipxact:description>Continuous Serial Clock</ipxact:description>
  <ipxact:wire>
    <ipxact:qualifier>
      <ipxact:isClock>true</ipxact:isClock>
    </ipxact:qualifier>
    <ipxact:onMaster>
      <ipxact:presence>required</ipxact:presence>
      <ipxact:width>1</ipxact:width>
      <ipxact:direction>out</ipxact:direction>
    </ipxact:onMaster>
    <ipxact:onSlave>
      <ipxact:presence>required</ipxact:presence>
      <ipxact:width>1</ipxact:width>
      <ipxact:direction>in</ipxact:direction>
    </ipxact:onSlave>
  </ipxact:wire>
</ipxact:port>
```

The example **abstractionDefinition** contains four ports named SCK, WS, SD_IN, and SD_OUT. The direction indication in the names of ports SD_IN and SD_OUT are indicated from the point of view of a master interface. For a master interface, SD_IN has direction in and SD_OUT has direction out. For a slave interface, SD_IN has direction out and SD_OUT has direction in. So, SD_IN is master-in-slave-out (MISO) and SD_OUT is master-out-slave-in (MOSI). The other ports SCK and WS are master-out-slave-in (MOSI). [Figure 3.1](#) showing the basic I2S protocol and topologies does not differentiate between signals SD_IN and SD_OUT. That is because signal SD always describes serial data going from transmitter to receiver independent of the roles of master and slave.

3.1.4 Component Bus Interfaces and Design Interconnections

The bus and abstraction definition introduced in the previous section are applied on the master_transmitter, slave_receiver, and transmitter_is_master components that have been discussed earlier.

The component `master_transmitter` of [Example 3.10](#) is extended with a bus interface shown in [Example 3.32](#).

Example 3.32: Component busInterfaces

```
<ipxact:busInterfaces>
  <ipxact:busInterface>
    <ipxact:name>M</ipxact:name>
    <ipxact:busType vendor="accellera.org" library="i2s" name="I2S" version="1.1"/>
    <ipxact:abstractionTypes>
      <ipxact:abstractionType>
        <ipxact:abstractionRef vendor="accellera.org" library="i2s" name="I2S_rtl" version="1.1"/>
        <ipxact:portMaps>
          <ipxact:portMap>
            <ipxact:logicalPort>
              <ipxact:name>SCK</ipxact:name>
            </ipxact:logicalPort>
            <ipxact:physicalPort>
              <ipxact:name>sck</ipxact:name>
            </ipxact:physicalPort>
          </ipxact:portMap>
          <ipxact:portMap>
            <ipxact:logicalPort>
              <ipxact:name>WS</ipxact:name>
            </ipxact:logicalPort>
            <ipxact:physicalPort>
              <ipxact:name>ws</ipxact:name>
            </ipxact:physicalPort>
          </ipxact:portMap>
          <ipxact:portMap>
            <ipxact:logicalPort>
              <ipxact:name>SD_OUT</ipxact:name>
            </ipxact:logicalPort>
            <ipxact:physicalPort>
              <ipxact:name>sd</ipxact:name>
            </ipxact:physicalPort>
          </ipxact:portMap>
        </ipxact:portMaps>
      </ipxact:abstractionType>
    </ipxact:abstractionTypes>
    <ipxact:master/>
  </ipxact:busInterface>
</ipxact:busInterfaces>
```

The element **busInterfaces** is a container element for **busInterface** elements. A **busInterface** has a name to identify the element. In the example, the bus interface is named M. A **busInterface** has a **busType** referencing a **busDefinition** using the four element **vendor**, **library**, **name**, and **version** identifier. It also has **abstractionTypes** which is a container element for **abstractionType** elements. An **abstractionType** has an **abstractionRef** referencing an **abstractionDefinition** using the four element **vendor**, **library**, **name**, and **version** identifier. Furthermore, an **abstractionType** has **portMaps** containing **portMap** elements. Each **portMap** contains a **logicalPort** and a **physicalPort** indicating a mapping between the named logical port and the named physical port. This example contains the following port maps:

- SCK maps to `sck`,
- WS maps to `ws`, and
- SD_OUT maps to `sd`.

Finally, a **busInterface** from this component definition contains a **master**, **slave**, or **system** element to indicate the interface mode of the **busInterface** and the **abstractionDefinition** referenced by the **busInterface**. The interface mode can also be mirrored which is indicated by the elements **mirroredMaster**, **mirroredSlave**, and **mirroredSystem**. For bus interfaces with a mirrored interface mode, the **direction** of each **logicalPort** is mirrored, i.e., in becomes out and out becomes in.

Similarly, the component `slave_receiver` can be extended with a slave bus interface named S containing the following port maps:

- SCK maps to `sck`,

- WS maps to ws, and
- SD_OUT maps to sd.

With these bus interfaces, the **design** of the component transmitter_is_master shown in [Example 3.19](#) can be rewritten using connections between bus interfaces as shown in [Example 3.33](#). Such connections are called **interconnections**. Each **interconnection** has a **name** to identify the element. Furthermore, it has multiple **activeInterface** elements indicating the end-points of the **interconnection**. An **activeInterface** references the component instance bus interfaces by using a **componentRef** attribute indicating the **componentInstanceName** and a **busRef** attribute indicating the **busInterface name**.

Example 3.33: Design transmitter_is_master_rtl with interconnections

```
<?xml version="1.0" encoding="UTF-8"?>
<ipxact:design xmlns:ipxact="http://www.accellera.org/XMLSchema/IPXACT/1685-2014" xmlns:xsi="http://
www.w3.org/2001/XMLSchema-instance" xsi:schemaLocation="http://www.accellera.org/XMLSchema/
IPXACT/1685-2014 http://www.accellera.org/XMLSchema/IPXACT/1685-2014/index.xsd">
  <ipxact:vendor>accellera.org</ipxact:vendor>
  <ipxact:library>i2s</ipxact:library>
  <ipxact:name>transmitter_is_master_rtl</ipxact:name>
  <ipxact:version>1.0</ipxact:version>
  <ipxact:componentInstances>
    <ipxact:componentInstance>
      <ipxact:instanceName>u_master_transmitter</ipxact:instanceName>
      <ipxact:componentRef vendor="accellera.org" library="i2s" name="master_transmitter"
version="1.0">
        <ipxact:configurableElementValues>
          <ipxact:configurableElementValue referenceId="my_param">1</ipxact:configurableElementValue>
        </ipxact:configurableElementValues>
      </ipxact:componentRef>
    </ipxact:componentInstance>
    <ipxact:componentInstance>
      <ipxact:instanceName>u_slave_receiver</ipxact:instanceName>
      <ipxact:componentRef vendor="accellera.org" library="i2s" name="slave_receiver" version="1.0"/>
    </ipxact:componentInstance>
  </ipxact:componentInstances>
  <ipxact:interconnections>
    <ipxact:interconnection>
      <ipxact:name>u_master_transmitter_M_u_slave_receiver_S</ipxact:name>
      <ipxact:activeInterface componentRef="u_master_transmitter" busRef="M"/>
      <ipxact:activeInterface componentRef="u_slave_receiver" busRef="S"/>
    </ipxact:interconnection>
  </ipxact:interconnections>
</ipxact:design>
```

The connectivity between the ports of component instances is determined by connecting the physical ports that are mapped to the same logical port in all interconnected bus interfaces. A component port can be mapped to multiple logical ports in one bus interface. A component port can also be mapped in multiple bus interfaces. In this way, complex connectivity can be created using bus interfaces.

To complete the basic I2S topologies, we describe new components master_receiver and slave_transmitter. The component master_receiver has ports sck, ws, and sd with directions out, out, and in, respectively. These ports are mapped in a master bus interface named M as follows:

- SCK maps to sck,
- WS maps to ws, and
- SD_IN maps to sd.

The component slave_transmitter has ports sck, ws, and sd with directions in, in, out, respectively. These ports are mapped in a slave bus interface named S as follows:

- SCK maps to sck,
- WS maps to ws, and
- SD_IN maps to sd.

With these components, the hierarchical component `receiver_is_master` is created using the design description in [Example 3.34](#).

Example 3.34: Design `receiver_is_master_rtl` with interconnections

```
<?xml version="1.0" encoding="UTF-8"?>
<ipxact:design xmlns:ipxact="http://www.accellera.org/XMLSchema/IPXACT/1685-2014" xmlns:xsi="http://
www.w3.org/2001/XMLSchema-instance" xsi:schemaLocation="http://www.accellera.org/XMLSchema/
IPXACT/1685-2014 http://www.accellera.org/XMLSchema/IPXACT/1685-2014/index.xsd">
  <ipxact:vendor>accellera.org</ipxact:vendor>
  <ipxact:library>i2s</ipxact:library>
  <ipxact:name>receiver_is_master_rtl</ipxact:name>
  <ipxact:version>1.0</ipxact:version>
  <ipxact:componentInstances>
    <ipxact:componentInstance>
      <ipxact:instanceName>u_master_receiver</ipxact:instanceName>
      <ipxact:componentRef vendor="accellera.org" library="i2s" name="master_receiver" version="1.0"/>
    </ipxact:componentInstance>
    <ipxact:componentInstance>
      <ipxact:instanceName>u_slave_transmitter</ipxact:instanceName>
      <ipxact:componentRef vendor="accellera.org" library="i2s" name="slave_transmitter"
version="1.0"/>
    </ipxact:componentInstance>
  </ipxact:componentInstances>
  <ipxact:interconnections>
    <ipxact:interconnection>
      <ipxact:name>u_master_receiver_M_u_slave_transmitter_S</ipxact:name>
      <ipxact:activeInterface componentRef="u_master_receiver" busRef="M"/>
      <ipxact:activeInterface componentRef="u_slave_transmitter" busRef="S"/>
    </ipxact:interconnection>
  </ipxact:interconnections>
</ipxact:design>
```

Finally, there is the challenge to describe the last I2S topology containing a component controller as master. This component controller has ports `sck` and `ws`, both with direction out. It has a master bus interface named `M` with the following port maps:

- `SCK` maps to `sck`, and
- `WS` maps to `ws`.

The challenge is to reuse the descriptions of components `slave_transmitter` and `slave_receiver` and to describe the connectivity between controller, transmitter, and receiver. To this end, a new component named `bridge` is created that uses phantom ports. A phantom port is a **component port** that has **direction phantom**. This direction value indicates that the IP-XACT component port has no HDL port equivalent. The component `bridge` has ports `sck`, `ws`, and `sd` that all have direction phantom. It has a slave interface `S` and two master interfaces `M1` and `M2` with the following port maps.

- For slave bus interface `S`, `SCK` maps to `sck` and `WS` maps to `ws`.
- For master bus interface `M1`, `SCK` maps to `sck`, `WS` maps to `ws`, and `SD_IN` maps to `sd`.
- For master bus interface `M2`, `SCK` maps to `sck`, `WS` maps to `ws`, and `SD_OUT` maps to `sd`.

Since the component `bridge` has no physical ports, an HDL netlister will not instantiate the component in the generated HDL netlist. Rather, it will generate the connectivity described by the `bridge` that results from mapping the phantom ports to multiple bus interfaces as shown in [Figure 3.2](#). [Example 3.35](#) shows the corresponding IP-XACT component description with phantom ports and a **componentInstantiation** element containing an **isVirtual** element with value `true` to indicate that its component instances should not be netlisted.

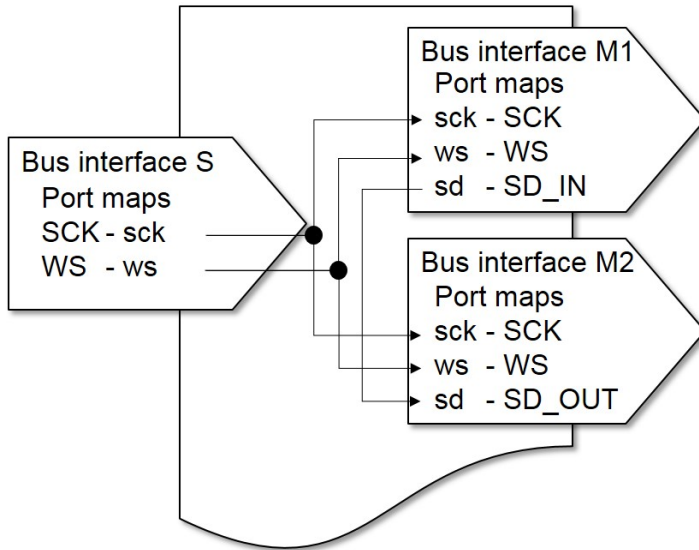


Figure 3.2—Graphical illustration of HDL connectivity resulting from component bridge port maps of phantom ports

Example 3.35: Component with phantom ports

```
<?xml version="1.0" encoding="UTF-8"?>
<ipxact:component xmlns:ipxact="http://www.accellera.org/XMLSchema/IPXACT/1685-2014"
  xmlns:xsi="http://www.w3.org/2001/XMLSchema-instance" xsi:schemaLocation="http://www.accellera.org/XMLSchema/IPXACT/1685-2014 http://www.accellera.org/XMLSchema/IPXACT/1685-2014/index.xsd">
  <ipxact:vendor>accellera</ipxact:vendor>
  <ipxact:library>i2s</ipxact:library>
  <ipxact:name>bridge</ipxact:name>
  <ipxact:version>1.0</ipxact:version>
  <ipxact:busInterfaces>
    <ipxact:busInterface>
      <ipxact:name>S</ipxact:name>
      <ipxact:busType vendor="accellera.org" library="i2s" name="I2S" version="1.1"/>
      <ipxact:abstractionTypes>
        <ipxact:abstractionType>
          <ipxact:abstractionRef vendor="accellera.org" library="i2s" name="I2S_rtl" version="1.1"/>
          <ipxact:portMaps>
            <ipxact:portMap>
              <ipxact:logicalPort>
                <ipxact:name>SCK</ipxact:name>
              </ipxact:logicalPort>
              <ipxact:physicalPort>
                <ipxact:name>sck</ipxact:name>
              </ipxact:physicalPort>
            </ipxact:portMap>
            <ipxact:portMap>
              <ipxact:logicalPort>
                <ipxact:name>WS</ipxact:name>
              </ipxact:logicalPort>
              <ipxact:physicalPort>
                <ipxact:name>ws</ipxact:name>
              </ipxact:physicalPort>
            </ipxact:portMap>
          </ipxact:portMaps>
        </ipxact:abstractionType>
      </ipxact:abstractionTypes>
    </ipxact:busInterface>
    <ipxact:busInterface>
      <ipxact:name>M1</ipxact:name>
      <ipxact:busType vendor="accellera.org" library="i2s" name="I2S" version="1.1"/>
      <ipxact:abstractionTypes>
        <ipxact:abstractionType>
          <ipxact:abstractionRef vendor="accellera.org" library="i2s" name="I2S_rtl" version="1.1"/>
          <ipxact:portMaps>
            <ipxact:portMap>
```

```

    <ipxact:logicalPort>
      <ipxact:name>SCK</ipxact:name>
    </ipxact:logicalPort>
    <ipxact:physicalPort>
      <ipxact:name>sck</ipxact:name>
    </ipxact:physicalPort>
  </ipxact:portMap>
</ipxact:portMap>
  <ipxact:logicalPort>
    <ipxact:name>WS</ipxact:name>
  </ipxact:logicalPort>
  <ipxact:physicalPort>
    <ipxact:name>ws</ipxact:name>
  </ipxact:physicalPort>
</ipxact:portMap>
<ipxact:portMap>
  <ipxact:logicalPort>
    <ipxact:name>SD_IN</ipxact:name>
  </ipxact:logicalPort>
  <ipxact:physicalPort>
    <ipxact:name>sd</ipxact:name>
  </ipxact:physicalPort>
</ipxact:portMap>
</ipxact:portMaps>
</ipxact:abstractionType>
</ipxact:abstractionTypes>
<ipxact:master/>
</ipxact:busInterface>
<ipxact:busInterface>
  <ipxact:name>M2</ipxact:name>
  <ipxact:busType vendor="accellera.org" library="i2s" name="I2S" version="1.1"/>
  <ipxact:abstractionTypes>
    <ipxact:abstractionType>
      <ipxact:abstractionRef vendor="accellera.org" library="i2s" name="I2S_rtl" version="1.1"/>
      <ipxact:portMaps>
        <ipxact:portMap>
          <ipxact:logicalPort>
            <ipxact:name>SCK</ipxact:name>
          </ipxact:logicalPort>
          <ipxact:physicalPort>
            <ipxact:name>sck</ipxact:name>
          </ipxact:physicalPort>
        </ipxact:portMap>
        <ipxact:portMap>
          <ipxact:logicalPort>
            <ipxact:name>WS</ipxact:name>
          </ipxact:logicalPort>
          <ipxact:physicalPort>
            <ipxact:name>ws</ipxact:name>
          </ipxact:physicalPort>
        </ipxact:portMap>
        <ipxact:portMap>
          <ipxact:logicalPort>
            <ipxact:name>SD_OUT</ipxact:name>
          </ipxact:logicalPort>
          <ipxact:physicalPort>
            <ipxact:name>sd</ipxact:name>
          </ipxact:physicalPort>
        </ipxact:portMap>
      </ipxact:portMaps>
    </ipxact:abstractionType>
  </ipxact:abstractionTypes>
  <ipxact:master/>
</ipxact:busInterface>
</ipxact:busInterfaces>
<ipxact:model>
  <ipxact:views>
    <ipxact:view>
      <ipxact:name>virtual</ipxact:name>
      <ipxact:componentInstantiationRef>hdl-virtual</ipxact:componentInstantiationRef>
    </ipxact:view>
  </ipxact:views>
  <ipxact:instantiations>
    <ipxact:componentInstantiation>
      <ipxact:name>hdl-virtual</ipxact:name>
      <ipxact:isVirtual>true</ipxact:isVirtual>
    </ipxact:componentInstantiation>
  </ipxact:instantiations>

```

```

</ipxact:instantiations>
<ipxact:ports>
  <ipxact:port>
    <ipxact:name>sck</ipxact:name>
    <ipxact:wire>
      <ipxact:direction>phantom</ipxact:direction>
    </ipxact:wire>
  </ipxact:port>
  <ipxact:port>
    <ipxact:name>ws</ipxact:name>
    <ipxact:wire>
      <ipxact:direction>phantom</ipxact:direction>
    </ipxact:wire>
  </ipxact:port>
  <ipxact:port>
    <ipxact:name>sd</ipxact:name>
    <ipxact:wire>
      <ipxact:direction>phantom</ipxact:direction>
    </ipxact:wire>
  </ipxact:port>
</ipxact:ports>
</ipxact:model>
</ipxact:component>

```

The design for component `controller_is_master` can now be described in [Example 3.36](#).

Example 3.36: Design `controller_is_master_rtl` with interconnections

```

<?xml version="1.0" encoding="UTF-8"?>
<ipxact:design xmlns:ipxact="http://www.accellera.org/XMLSchema/IPXACT/1685-2014" xmlns:xsi="http://
www.w3.org/2001/XMLSchema-instance" xsi:schemaLocation="http://www.accellera.org/XMLSchema/
IPXACT/1685-2014 http://www.accellera.org/XMLSchema/IPXACT/1685-2014/index.xsd">
  <ipxact:vendor>accellera.org</ipxact:vendor>
  <ipxact:library>i2s</ipxact:library>
  <ipxact:name>controller_is_master_rtl</ipxact:name>
  <ipxact:version>1.0</ipxact:version>
  <ipxact:componentInstances>
    <ipxact:componentInstance>
      <ipxact:instanceName>u_controller</ipxact:instanceName>
      <ipxact:componentRef vendor="accellera.org" library="i2s" name="controller" version="1.0"/>
    </ipxact:componentInstance>
    <ipxact:componentInstance>
      <ipxact:instanceName>u_bridge</ipxact:instanceName>
      <ipxact:componentRef vendor="accellera.org" library="i2s" name="bridge" version="1.0"/>
    </ipxact:componentInstance>
    <ipxact:componentInstance>
      <ipxact:instanceName>u_slave_transmitter</ipxact:instanceName>
      <ipxact:componentRef vendor="accellera.org" library="i2s" name="slave_transmitter"
version="1.0"/>
    </ipxact:componentInstance>
    <ipxact:componentInstance>
      <ipxact:instanceName>u_slave_receiver</ipxact:instanceName>
      <ipxact:componentRef vendor="accellera.org" library="i2s" name="slave_receiver" version="1.0"/>
    </ipxact:componentInstance>
  </ipxact:componentInstances>
  <ipxact:interconnections>
    <ipxact:interconnection>
      <ipxact:name>u_controller_M__u_bridge_S</ipxact:name>
      <ipxact:activeInterface componentRef="u_controller" busRef="M"/>
      <ipxact:activeInterface componentRef="u_bridge" busRef="S"/>
    </ipxact:interconnection>
    <ipxact:interconnection>
      <ipxact:name>u_bridge_M1__u_slave_transmitter_S</ipxact:name>
      <ipxact:activeInterface componentRef="u_bridge" busRef="M1"/>
      <ipxact:activeInterface componentRef="u_slave_transmitter" busRef="S"/>
    </ipxact:interconnection>
    <ipxact:interconnection>
      <ipxact:name>u_bridge_M2__u_slave_receiver_S</ipxact:name>
      <ipxact:activeInterface componentRef="u_bridge" busRef="M2"/>
      <ipxact:activeInterface componentRef="u_slave_receiver" busRef="S"/>
    </ipxact:interconnection>
  </ipxact:interconnections>
</ipxact:design>

```

The HDL netlist for component `controller_is_master` will be similar to [Example 3.37](#).

Example 3.37: Module `controller_is_master_rtl`

```
module controller_is_master;

wire u_controller_sck_sig;
wire u_controller_ws_sig;
wire u_slave_transmitter_sd_sig;

controller u_controller (
    .sck( u_controller_sck_sig ),
    .ws( u_controller_ws_sig )
);

slave_transmitter u_slave_transmitter (
    .sck( u_controller_sck_sig ),
    .ws( u_controller_ws_sig ),
    .sd( u_slave_transmitter_sd_sig )
);

slave_receiver u_slave_receiver (
    .sck( u_controller_sck_sig ),
    .ws( u_controller_ws_sig ),
    .sd( u_slave_transmitter_sd_sig )
);

endmodule
```

The application of phantom ports as explained above is universal. It can be applied for many types of interconnect including:

- interrupt slot assignment, where a phantom port can be used to route interrupt requests;
- clock and reset distribution, where phantom ports can be used to route clock and reset sources;
- daisy chaining for JTAG and test buses, where phantom ports can be used to route serial data.

This way of working clearly separates the roles of IP provider and IP integrator. The role of the IP provider is to provide IP-XACT component descriptions that target reuse. Hence, bus interfaces should be defined to identify complete hardware interfaces such that all ports are available in the interface to implement protocol conversions or protocol abstractions. The role of the IP integrator is to create integration-specific components with phantom ports to describe designs, thereby avoiding adhoc connections. This way of working enables mixed-abstraction designs.

3.1.5 Component Memory Maps and Registers

The I2S bus definition used so far is an example of a non-addressable bus definition. Here, we switch to an addressable bus definition to make the link to component memory maps and registers. As an example, we use a **busDefinition** that has the four element **vendor**, **library**, **name**, and **version** with the values `accellera.org`, `amba3`, `APB3`, and `1.0`, respectively, and the **isAddressable** element value set to true. There is an associated **abstractionDefinition** with a **vendor**, **library**, **name**, and **version** identifier equal to `accellera.org`, `amba3`, `APB3_rtl`, and `1.0`. The **ports** of the **abstractionDefinition** are described according the AMBA3 APB specification. We refer to those ports using the standard signal names `PCLK`, `PRESETn`, and so on.

If a **component busInterface** in **slave** mode references an addressable **busDefinition**, then the bus interface must either reference a **component memoryMap** or contain **bridges**. The concept of **bridges** is discussed in Section [3.1.6](#). Here, the concept of **memoryMaps** is explained. For this purpose, the **component** description in [Example 3.38](#) is used which describes only one register to limit the amount of space used.

Example 3.38: Component with slave busInterface and memoryMap

```
<?xml version="1.0" encoding="UTF-8"?>
```

```

<ipxact:component xmlns:ipxact="http://www.accellera.org/XMLSchema/IPXACT/1685-2014"
  xmlns:xsi="http://www.w3.org/2001/XMLSchema-instance" xsi:schemaLocation="http://www.accellera.org/
XMLSchema/IPXACT/1685-2014 http://www.accellera.org/XMLSchema/IPXACT/1685-2014/index.xsd">
  <ipxact:vendor>accellera.org</ipxact:vendor>
  <ipxact:library>ug</ipxact:library>
  <ipxact:name>ip</ipxact:name>
  <ipxact:version>1.0</ipxact:version>
  <ipxact:busInterfaces>
    <ipxact:busInterface>
      <ipxact:name>Slave</ipxact:name>
      <ipxact:busType vendor="accellera.org" library="amba3" name="APB3" version="1.0"/>
      <ipxact:slave>
        <ipxact:memoryMapRef memoryMapRef="RegisterMap"/>
      </ipxact:slave>
    </ipxact:busInterface>
  </ipxact:busInterfaces>
  <ipxact:memoryMaps>
    <ipxact:memoryMap>
      <ipxact:name>RegisterMap</ipxact:name>
      <ipxact:addressBlock>
        <ipxact:name>ControlSpace</ipxact:name>
        <ipxact:baseAddress>'h0</ipxact:baseAddress>
        <ipxact:range>'h1000</ipxact:range>
        <ipxact:width>32</ipxact:width>
        <ipxact:access>read-write</ipxact:access>
        <ipxact:register>
          <ipxact:name>STAT</ipxact:name>
          <ipxact:description>Status register. Collection of Status flags including interrupt status
before enabling</ipxact:description>
          <ipxact:addressOffset>'h0</ipxact:addressOffset>
          <ipxact:size>32</ipxact:size>
          <ipxact:field>
            <ipxact:name>RXFIFO_NE</ipxact:name>
            <ipxact:description>RX-FIFO Not Empty. This interrupt capable status flag indicates
the RX-FIFO status and associated interrupt status before the enable stage. The flag can only be
implicitly cleared by reading the RXFIFO_DAT register</ipxact:description>
            <ipxact:bitOffset>0</ipxact:bitOffset>
            <ipxact:resets>
              <ipxact:reset>
                <ipxact:value>'h0</ipxact:value>
                <ipxact:mask>'h1</ipxact:mask>
              </ipxact:reset>
            </ipxact:resets>
            <ipxact:bitWidth>1</ipxact:bitWidth>
            <ipxact:access>read-only</ipxact:access>
            <ipxact:enumeratedValues>
              <ipxact:enumeratedValue usage="read">
                <ipxact:name>EMPTY</ipxact:name>
                <ipxact:description>RX-FIFO empty</ipxact:description>
                <ipxact:value>0</ipxact:value>
              </ipxact:enumeratedValue>
              <ipxact:enumeratedValue usage="read">
                <ipxact:name>NOT_EMPTY</ipxact:name>
                <ipxact:description>RX-FIFO not empty.</ipxact:description>
                <ipxact:value>1</ipxact:value>
              </ipxact:enumeratedValue>
            </ipxact:enumeratedValues>
          </ipxact:field>
          <ipxact:field>
            <ipxact:name>RXFIFO_OVFL</ipxact:name>
            <ipxact:description>RX-FIFO Overflow. This interrupt capable status flag indicates
an overflow error and associated interrupt status before the enable stage. The flag can only be
explicitly cleared by writing 1 to the flag.</ipxact:description>
            <ipxact:bitOffset>1</ipxact:bitOffset>
            <ipxact:resets>
              <ipxact:reset>
                <ipxact:value>'h0</ipxact:value>
                <ipxact:mask>'h1</ipxact:mask>
              </ipxact:reset>
            </ipxact:resets>
            <ipxact:bitWidth>1</ipxact:bitWidth>
            <ipxact:access>read-write</ipxact:access>
            <ipxact:enumeratedValues>
              <ipxact:enumeratedValue usage="read">
                <ipxact:name>NO_OVFL</ipxact:name>
                <ipxact:description>no overflow</ipxact:description>
                <ipxact:value>0</ipxact:value>

```

```

        </ipxact:enumeratedValue>
        <ipxact:enumeratedValue usage="read">
          <ipxact:name>OVFL</ipxact:name>
          <ipxact:description>overflow error</ipxact:description>
          <ipxact:value>1</ipxact:value>
        </ipxact:enumeratedValue>
        <ipxact:enumeratedValue usage="write">
          <ipxact:name>NO_EFFECT</ipxact:name>
          <ipxact:description>no effect</ipxact:description>
          <ipxact:value>0</ipxact:value>
        </ipxact:enumeratedValue>
        <ipxact:enumeratedValue usage="write">
          <ipxact:name>CLEAR</ipxact:name>
          <ipxact:description>clear flag</ipxact:description>
          <ipxact:value>1</ipxact:value>
        </ipxact:enumeratedValue>
      </ipxact:enumeratedValues>
      <ipxact:modifiedWriteValue>oneToClear</ipxact:modifiedWriteValue>
    </ipxact:field>
    <ipxact:field>
      <ipxact:name>RXSTATE</ipxact:name>
      <ipxact:description>RX state. This field indicates the state of the receiver.</
ipxact:description>
      <ipxact:bitOffset>2</ipxact:bitOffset>
      <ipxact:resets>
        <ipxact:reset>
          <ipxact:value>'h0</ipxact:value>
          <ipxact:mask>'h3</ipxact:mask>
        </ipxact:reset>
      </ipxact:resets>
      <ipxact:bitWidth>2</ipxact:bitWidth>
      <ipxact:access>read-only</ipxact:access>
      <ipxact:enumeratedValues>
        <ipxact:enumeratedValue usage="read">
          <ipxact:name>IDLE</ipxact:name>
          <ipxact:description>Idle state</ipxact:description>
          <ipxact:value>0</ipxact:value>
        </ipxact:enumeratedValue>
        <ipxact:enumeratedValue usage="read">
          <ipxact:name>BUSY</ipxact:name>
          <ipxact:description>Busy state</ipxact:description>
          <ipxact:value>1</ipxact:value>
        </ipxact:enumeratedValue>
        <ipxact:enumeratedValue usage="read">
          <ipxact:name>SYNC</ipxact:name>
          <ipxact:description>Sync state</ipxact:description>
          <ipxact:value>2</ipxact:value>
        </ipxact:enumeratedValue>
      </ipxact:enumeratedValues>
    </ipxact:field>
    <ipxact:field>
      <ipxact:name>reserved0</ipxact:name>
      <ipxact:displayName>RESERVED</ipxact:displayName>
      <ipxact:description>reserved. Read value undefined. Should be written 0.</
ipxact:description>
      <ipxact:bitOffset>4</ipxact:bitOffset>
      <ipxact:resets>
        <ipxact:reset>
          <ipxact:value>'h0</ipxact:value>
          <ipxact:mask>'h0</ipxact:mask>
        </ipxact:reset>
      </ipxact:resets>
      <ipxact:bitWidth>28</ipxact:bitWidth>
      <ipxact:access>read-only</ipxact:access>
      <ipxact:reserved>true</ipxact:reserved>
    </ipxact:field>
  </ipxact:register>
</ipxact:addressBlock>
<ipxact:addressUnitBits>8</ipxact:addressUnitBits>
</ipxact:memoryMap>
</ipxact:memoryMaps>
</ipxact:component>

```

The **busInterface slave** element contains an additional **memoryMapRef** element with an attribute **memoryMapRef** that references a **memoryMap** element by name. This indicates that the referenced **memoryMap** is addressable through the referencing **busInterface**.

Example 3.39: Component busInterface with memoryMapRef

```
<ipxact:busInterface>
  <ipxact:name>Slave</ipxact:name>
  <ipxact:busType vendor="accellera.org" library="amba3" name="APB3" version="1.0" />
  <ipxact:slave>
    <ipxact:memoryMapRef memoryMapRef="RegisterMap" />
  </ipxact:slave>
</ipxact:busInterface>
```

The referenced **memoryMap** is defined in the **component memoryMaps** container element. A **memoryMap** has a **name** to identify the element. Furthermore, a **memoryMap** can contain different types of memory map elements: **addressBlock**, **bank**, and **subspaceMap**. The **addressBlock** element is explained in the next paragraph. The other two elements are not discussed. Finally, a **memoryMap** has **addressUnitBits** that describes the number of bits of an address increment between two consecutive addressable units in the **memoryMap**. If an **addressUnitBits** element is not described, then its value defaults to 8 indicating a byte addressable **memoryMap**.

Example 3.40: Component memoryMaps

```
<ipxact:memoryMaps>
  <ipxact:memoryMap>
    <ipxact:name>RegisterMap</ipxact:name>
    ...
    <ipxact:addressUnitBits>8</ipxact:addressUnitBits>
  </ipxact:memoryMap>
</ipxact:memoryMaps>
```

An **addressBlock** describes a single, contiguous block of memory in a **memoryMap**. It has a **name** to identify the element. Furthermore, an **addressBlock** has a **baseAddress**, a **range**, and a **width** to describe the location of the **addressBlock** in the **memoryMap**. A **baseAddress** describes the starting address of the **addressBlock** expressed in **addressUnitBits** from the containing **memoryMap**. A **range** describes the number of addressable units in the **addressBlock**. A **width** describes the maximum number of bits that can be accessed in a single transfer into the **addressBlock**. Finally, an **addressBlock** can have an **access** element and multiple **register** and **registerFile** elements. An **access** element can take the values read-write, read-only, write-only, read-writeOnce, and writeOnce. The **access** indicates the accessibility of data in the **addressBlock**. If an **access** element is not described, then its value defaults to read-write unless the **addressBlock** is contained in a **bank** from which it inherits its **access**. The **register** and **registerFile** elements are discussed in the next paragraphs.

Example 3.41: Component addressBlock

```
<ipxact:addressBlock>
  <ipxact:name>ControlSpace</ipxact:name>
  <ipxact:baseAddress>'h0</ipxact:baseAddress>
  <ipxact:range>'h1000</ipxact:range>
  <ipxact:width>32</ipxact:width>
  <ipxact:access>read-write</ipxact:access>
  ...
</ipxact:addressBlock>
```

A **register** element describes the software interface to a register. It has a **name** to identify the element. It can have a **description** to provide a human-readable description. A **register** can have a **dim** element describing the dimension of the register. If **dim** is not described, then its value defaults to 1. Furthermore, a **register** has an **addressOffset** that describes the location of the **register** expressed in **addressUnitBits** as offset to the starting address of the containing **addressBlock** or the containing **registerFile**. The **size** of a **register** describes the number of bits in the register. A register **size** cannot exceed the **width** of a containing **addressBlock**. A

register can also contain an **access** element describing the accessibility of data in the register similar to access of an **addressBlock**. A **register** has **field** elements that are discussed in the next paragraph.

Example 3.42: Component register

```
<ipxact:register>
  <ipxact:name>STAT</ipxact:name>
  <ipxact:description>Status register. Collection of Status flags including interrupt status
before enabling</ipxact:description>
  <ipxact:addressOffset>'h0</ipxact:addressOffset>
  <ipxact:size>32</ipxact:size>
  ...
</ipxact:register>
```

A **field** element describes one or more bits of a register. A **field** has a **name** to identify the element. It can have a **description** to provide a human-readable description. The **bitOffset** describes the starting bit of the field expressed in number of bits. The **bitWidth** describes the number of bits in the field. A field can have a **resets** element containing multiple **reset** elements. Each **reset** has a **value** describing the reset value of the bits in the field and a **mask** describing which bits in the field have a defined reset value. In a **mask**, a bit value of 1 describes that the bit reset value is defined and a bit value of 0 describes that the bit reset value is not defined. A **reset** can have a **resetTypeRef** attribute describing the type of reset. If **resetTypeRef** is not described, then its value defaults to **HARD** which is a pre-defined reset type. A **field** can also contain an **access** element describing the accessibility of data in the field similar to access of a **register**. Finally, a **field** can contain **enumeratedValues** which are explained in the next paragraph.

Example 3.43: Component register field

```
<ipxact:field>
  <ipxact:name>RXFIFO_NE</ipxact:name>
  <ipxact:description>RX-FIFO Not Empty. This interrupt capable status flag indicates
the RX-FIFO status and associated interrupt status before the enable stage. The flag can only be
implicitly cleared by reading the RXFIFO_DAT register</ipxact:description>
  <ipxact:bitOffset>0</ipxact:bitOffset>
  <ipxact:resets>
    <ipxact:reset>
      <ipxact:value>'h0</ipxact:value>
      <ipxact:mask>'h1</ipxact:mask>
    </ipxact:reset>
  </ipxact:resets>
  <ipxact:bitWidth>1</ipxact:bitWidth>
  <ipxact:access>read-only</ipxact:access>
  ...
</ipxact:field>
```

The **enumeratedValues** element is a container element for **enumeratedValue** elements. An **enumeratedValue** describes a value of the containing **field**. An **enumeratedValue** can have an attribute **usage** describing the usage of the **enumeratedValue** which can take the values read, write, and read-write. Furthermore, an **enumeratedValue** has a **name** to identify the element. It can have a **description** to provide a human-readable description. An **enumeratedValue value** describes the value.

Example 3.44: Component register field enumeratedValues

```
<ipxact:enumeratedValues>
  <ipxact:enumeratedValue usage="read">
    <ipxact:name>EMPTY</ipxact:name>
    <ipxact:description>RX-FIFO empty</ipxact:description>
    <ipxact:value>0</ipxact:value>
  </ipxact:enumeratedValue>
  <ipxact:enumeratedValue usage="read">
    <ipxact:name>NOT_EMPTY</ipxact:name>
    <ipxact:description>RX-FIFO not empty.</ipxact:description>
    <ipxact:value>1</ipxact:value>
  </ipxact:enumeratedValue>
</ipxact:enumeratedValues>
```

Finally, an **addressBlock** can contain **registerFile** elements which are used to group **register** elements. A **registerFile** has a **name** to identify the element. It can have a **description** to provide a human-readable description. A **registerFile dim** describes the dimension of the **registerFile**. If **dim** is not described, then its value defaults to 1, similar to **register dim** elements. A **registerFile addressOffset** describes the location of the **registerFile** expressed in **addressUnitBits** as offset to the starting address of the containing **addressBlock** or the containing **registerFile**. A **registerFile range** describes the number of addressable units in the **registerFile** similar to **addressBlock range**. A **registerFile** can contain **register** and **registerFile** elements. Hence, **registerFile** elements can be nested arbitrarily deep.

Example 3.45: Component registerFile

```
<ipxact:registerFile>
  <ipxact:name>CHANNEL</ipxact:name>
  <ipxact:description>Channel Descriptor Registers</ipxact:description>
  <ipxact:dim>4</ipxact:dim>
  <ipxact:addressOffset>'h200</ipxact:addressOffset>
  <ipxact:range>'h10</ipxact:range>
  ...
</ipxact:registerFile>
```

3.1.6 Component Address Spaces and Bus Interface Bridges

The **component memoryMaps** introduced in the previous section are used to determine global memory maps for **componentInstances** of a **design**. Global memory maps are not described explicitly. Rather, they are computed from the design topology by positioning a **memoryMap** in **addressSpaces**. We use the **component** description for a CPU shown in [Example 3.46](#) to illustrate the concept of address spaces.

Example 3.46: Component with master busInterface and addressSpace

```
<?xml version="1.0" encoding="UTF-8"?>
<ipxact:component xmlns:ipxact="http://www.accellera.org/XMLSchema/IPXACT/1685-2014"
  xmlns:xsi="http://www.w3.org/2001/XMLSchema-instance" xsi:schemaLocation="http://www.accellera.org/
  XMLSchema/IPXACT/1685-2014 http://www.accellera.org/XMLSchema/IPXACT/1685-2014/index.xsd">
  <ipxact:vendor>accellera.org</ipxact:vendor>
  <ipxact:library>ug</ipxact:library>
  <ipxact:name>cpu</ipxact:name>
  <ipxact:version>1.0</ipxact:version>
  <ipxact:busInterfaces>
    <ipxact:busInterface>
      <ipxact:name>AHB</ipxact:name>
      <ipxact:description>AHB interface provides system access.</ipxact:description>
      <ipxact:busType vendor="accellera.org" library="amba3" name="AHBLiteInitiator" version="1.0"/>
      <ipxact:master>
        <ipxact:addressSpaceRef addressSpaceRef="AS">
          <ipxact:baseAddress>'h0</ipxact:baseAddress>
        </ipxact:addressSpaceRef>
      </ipxact:master>
    </ipxact:busInterface>
  </ipxact:busInterfaces>
  <ipxact:addressSpaces>
    <ipxact:addressSpace>
      <ipxact:name>AS</ipxact:name>
      <ipxact:range>'h100000000</ipxact:range>
      <ipxact:width>32</ipxact:width>
      <ipxact:segments>
        <ipxact:segment>
          <ipxact:name>Code</ipxact:name>
          <ipxact:addressOffset>'h0</ipxact:addressOffset>
          <ipxact:range>'h20000000</ipxact:range>
        </ipxact:segment>
        <ipxact:segment>
          <ipxact:name>SRAM</ipxact:name>
          <ipxact:addressOffset>'h20000000</ipxact:addressOffset>
          <ipxact:range>'h20000000</ipxact:range>
        </ipxact:segment>
        <ipxact:segment>
          <ipxact:name>Peripheral</ipxact:name>
          <ipxact:addressOffset>'h40000000</ipxact:addressOffset>
          <ipxact:range>'h20000000</ipxact:range>
        </ipxact:segment>
      </ipxact:segments>
    </ipxact:addressSpace>
  </ipxact:addressSpaces>
</ipxact:component>
```

```

</ipxact:segment>
<ipxact:segment>
  <ipxact:name>ExternalRAM</ipxact:name>
  <ipxact:addressOffset>'h60000000</ipxact:addressOffset>
  <ipxact:range>'h40000000</ipxact:range>
</ipxact:segment>
<ipxact:segment>
  <ipxact:name>External</ipxact:name>
  <ipxact:addressOffset>'hA0000000</ipxact:addressOffset>
  <ipxact:range>'h40000000</ipxact:range>
</ipxact:segment>
<ipxact:segment>
  <ipxact:name>Private</ipxact:name>
  <ipxact:addressOffset>'hE0000000</ipxact:addressOffset>
  <ipxact:range>'h100000</ipxact:range>
</ipxact:segment>
<ipxact:segment>
  <ipxact:name>Vendor</ipxact:name>
  <ipxact:addressOffset>'hE0100000</ipxact:addressOffset>
  <ipxact:range>'h1FF00000</ipxact:range>
</ipxact:segment>
</ipxact:segments>
<ipxact:addressUnitBits>8</ipxact:addressUnitBits>
<ipxact:localMemoryMap>
  <ipxact:name>PPB</ipxact:name>
  <ipxact:addressBlock>
    <ipxact:name>PrivateInt</ipxact:name>
    <ipxact:baseAddress>'hE0000000</ipxact:baseAddress>
    <ipxact:range>'h40000</ipxact:range>
    <ipxact:width>32</ipxact:width>
    <ipxact:access>read-write</ipxact:access>
  </ipxact:addressBlock>
  <ipxact:addressBlock>
    <ipxact:name>PrivateExt</ipxact:name>
    <ipxact:baseAddress>'hE0040000</ipxact:baseAddress>
    <ipxact:range>'hC0000</ipxact:range>
    <ipxact:width>32</ipxact:width>
    <ipxact:access>read-write</ipxact:access>
  </ipxact:addressBlock>
</ipxact:localMemoryMap>
</ipxact:addressSpace>
</ipxact:addressSpaces>
  <ipxact:description>Central Processing Unit.</ipxact:description>
</ipxact:component>

```

This **busInterface** references an addressable bus definition to make the link to a **component addressSpace**. The **busDefinition** has the four element **vendor**, **library**, **name**, and **version** identifier with values **accellera.org**, **amba3**, **AHBLiteInitiator**, and **1.0**, respectively. If a **component busInterface** in **master** mode references an addressable bus interface, then the bus interface must reference a **component addressSpace** by name in the **master** element. This reference is described in the attribute **addressSpaceRef** of the element **addressSpaceRef**. This element also contains a **baseAddress** describing the start address of the address space for the containing **busInterface**.

Example 3.47: Component busInterface addressSpaceRef

```

<ipxact:busInterface>
  <ipxact:name>AHB</ipxact:name>
  <ipxact:description>AHB interface provides system access.</ipxact:description>
  <ipxact:busType vendor="accellera.org" library="amba3" name="AHBLiteInitiator" version="1.0"/>
  <ipxact:master>
    <ipxact:addressSpaceRef addressSpaceRef="AS">
      <ipxact:baseAddress>'h0</ipxact:baseAddress>
    </ipxact:addressSpaceRef>
  </ipxact:master>
</ipxact:busInterface>

```

The **component addressSpaces** element is a container element for **addressSpace** elements. An **addressSpace** has a name to identify the element. Furthermore, it has **addressUnitBits**, **range** and **width** elements. The **addressUnitBits** element describes the number of bits of an address increment between two consecutive addressable units in the **addressSpace**. If **addressUnitBits** is not described, then its value defaults to 8,

indicating a byte-addressable **addressSpace**. The **range** describes the number of addressable units of the **addressSpace**. The **width** describes the maximum number of bits that can be accessed in a single transfer in the **addressSpace**. An **addressSpace** can have **segments** and a **localMemoryMap** which are discussed in the next paragraphs.

Example 3.48: Component addressSpace

```
<ipxact:addressSpace>
  <ipxact:name>AS</ipxact:name>
  <ipxact:range>'h100000000</ipxact:range>
  <ipxact:width>32</ipxact:width>
  ...
  <ipxact:addressUnitBits>8</ipxact:addressUnitBits>
  ...
</ipxact:addressSpace>
```

An **addressSpace segments** element is a container element for multiple **segment** element. Each **segment** describes a portion of the **addressSpace**. A **segment** has a **name** to identify the element. It has an **addressOffset** describing the address offset of the **segment** with respect to the start address of the **addressSpace** expressed in addressing units. Furthermore, it has a **range** describing the number of addressable units of the **segment**.

Example 3.49: Component addressSpace segment

```
<ipxact:segment>
  <ipxact:name>Code</ipxact:name>
  <ipxact:addressOffset>'h0</ipxact:addressOffset>
  <ipxact:range>'h20000000</ipxact:range>
</ipxact:segment>
```

An **addressSpace localMemoryMap** describes a memory map that is visible only in the containing **addressSpace**. A **localMemoryMap** has a **name** to identify the element. Furthermore, it can contain **addressBlock** and **bank** elements similar to a **component memoryMap**.

Example 3.50: Component addressSpace localMemoryMap

```
<ipxact:localMemoryMap>
  <ipxact:name>PPB</ipxact:name>
  ...
</ipxact:localMemoryMap>
```

To illustrate the concept of **busInterface transparentBridge** elements, a second component is used describing an AHB bus fabric. This component has two slave bus interfaces to connect to the CPU and DMA components and four master bus interfaces to connect to the ROM, RAM, DMA, and APB peripherals as shown in [Example 3.51](#).

Example 3.51: Component busahb

```
<?xml version="1.0" encoding="UTF-8"?>
<ipxact:component xmlns:ipxact="http://www.accellera.org/XMLSchema/IPXACT/1685-2014"
  xmlns:xsi="http://www.w3.org/2001/XMLSchema-instance" xsi:schemaLocation="http://www.accellera.org/
/XMLSchema/IPXACT/1685-2014 http://www.accellera.org/XMLSchema/IPXACT/1685-2014/index.xsd">
  <ipxact:vendor>accellera.org</ipxact:vendor>
  <ipxact:library>ug</ipxact:library>
  <ipxact:name>busahb</ipxact:name>
  <ipxact:version>1.0</ipxact:version>
  <ipxact:busInterfaces>
    <ipxact:busInterface>
      <ipxact:name>toCPU</ipxact:name>
      <ipxact:busType vendor="accellera.org" library="amba3" name="AHBLiteInitiator" version="1.0"/>
      <ipxact:slave>
        <ipxact:transparentBridge masterRef="toROM"/>
        <ipxact:transparentBridge masterRef="toRAM"/>
        <ipxact:transparentBridge masterRef="toDMA_S"/>
        <ipxact:transparentBridge masterRef="toAPB"/>
      </ipxact:slave>
    </ipxact:busInterface>
  </ipxact:busInterfaces>
</ipxact:component>
```

```

</ipxact:slave>
</ipxact:busInterface>
<ipxact:busInterface>
  <ipxact:name>toDMA_M</ipxact:name>
  <ipxact:busType vendor="accellera.org" library="amba3" name="AHBLiteInitiator" version="1.0"/>
  <ipxact:slave>
    <ipxact:transparentBridge masterRef="toRAM"/>
    <ipxact:transparentBridge masterRef="toAPB"/>
  </ipxact:slave>
</ipxact:busInterface>
<ipxact:busInterface>
  <ipxact:name>toROM</ipxact:name>
  <ipxact:busType vendor="accellera.org" library="amba3" name="AHBLiteTarget" version="1.0"/>
  <ipxact:master>
    <ipxact:addressSpaceRef addressSpaceRef="AS_ROM">
      <ipxact:baseAddress>'h0</ipxact:baseAddress>
    </ipxact:addressSpaceRef>
  </ipxact:master>
</ipxact:busInterface>
<ipxact:busInterface>
  <ipxact:name>toRAM</ipxact:name>
  <ipxact:busType vendor="accellera.org" library="amba3" name="AHBLiteTarget" version="1.0"/>
  <ipxact:master>
    <ipxact:addressSpaceRef addressSpaceRef="AS_RAM">
      <ipxact:baseAddress>'h20000000</ipxact:baseAddress>
    </ipxact:addressSpaceRef>
  </ipxact:master>
</ipxact:busInterface>
<ipxact:busInterface>
  <ipxact:name>toDMA_S</ipxact:name>
  <ipxact:busType vendor="accellera.org" library="amba3" name="AHBLiteTarget" version="1.0"/>
  <ipxact:master>
    <ipxact:addressSpaceRef addressSpaceRef="AS_DMA">
      <ipxact:baseAddress>'h40000000</ipxact:baseAddress>
    </ipxact:addressSpaceRef>
  </ipxact:master>
</ipxact:busInterface>
<ipxact:busInterface>
  <ipxact:name>toAPB</ipxact:name>
  <ipxact:busType vendor="accellera.org" library="amba3" name="AHBLiteTarget" version="1.0"/>
  <ipxact:master>
    <ipxact:addressSpaceRef addressSpaceRef="AS_APB">
      <ipxact:baseAddress>'h40001000</ipxact:baseAddress>
    </ipxact:addressSpaceRef>
  </ipxact:master>
</ipxact:busInterface>
</ipxact:busInterfaces>
<ipxact:addressSpaces>
  <ipxact:addressSpace>
    <ipxact:name>AS_ROM</ipxact:name>
    <ipxact:range>'h20000000</ipxact:range>
    <ipxact:width>32</ipxact:width>
  </ipxact:addressSpace>
  <ipxact:addressSpace>
    <ipxact:name>AS_RAM</ipxact:name>
    <ipxact:range>'h20000000</ipxact:range>
    <ipxact:width>32</ipxact:width>
  </ipxact:addressSpace>
  <ipxact:addressSpace>
    <ipxact:name>AS_DMA</ipxact:name>
    <ipxact:range>'h1000</ipxact:range>
    <ipxact:width>32</ipxact:width>
  </ipxact:addressSpace>
  <ipxact:addressSpace>
    <ipxact:name>AS_APB</ipxact:name>
    <ipxact:range>'h1000</ipxact:range>
    <ipxact:width>32</ipxact:width>
  </ipxact:addressSpace>
</ipxact:addressSpaces>
<ipxact:description>AHB interconnect.</ipxact:description>
</ipxact:component>

```

A **transparentBridge** is part of a **busInterface slave** element. An addressable slave must contain one or more **transparentBridge** elements or a **memoryMapRef** element. The **memoryMapRef** element describes the fact that a **component MemoryMap** can be accessed through the referencing **busInterface**. It has been discussed

in Section 3.1.5. A **transparentBridge** element describes the fact that a **component busInterface** bridges to another **busInterface** element by referencing the **busInterface name**. The referenced **busInterface** must be a **master**. In the example, the **transparentBridge** elements describe that a CPU connected to bus interface toCPU can access ROM, RAM, DMA, and APB peripherals. However, a DMA controller connected to bus interface toDMA_M can only access RAM and APB peripherals. A **transparentBridge** is called *transparent* to indicate that addresses entering at a slave interface exit at a master interface without any modification.

Example 3.52: Component busInterface transparentBridge

```
<ipxact:busInterface>
  <ipxact:name>toCPU</ipxact:name>
  <ipxact:busType vendor="accellera.org" library="amba3" name="AHBLiteInitiator" version="1.0"/>
  <ipxact:slave>
    <ipxact:transparentBridge masterRef="toROM" />
    <ipxact:transparentBridge masterRef="toRAM" />
    <ipxact:transparentBridge masterRef="toDMA_S" />
    <ipxact:transparentBridge masterRef="toAPB" />
  </ipxact:slave>
</ipxact:busInterface>
```

The decoding of addresses entering at slave interfaces is described by the **busInterface master** elements and **addressSpace** elements. In the example, **busInterface toRAM** references **addressSpace AS_RAM** and locates **AS_RAM** at offset 'h20000000 in the CPU **addressSpace AS**. More specifically, **AS_RAM** is located in the **addressSpace segment SRAM**. The **range** of **AS_RAM** is 'h20000000, hence, **AS_RAM** occupies locations 'h20000000 to 'h3FFFFFFF which fits in **segment SRAM**. All addresses entering at the slave interfaces in the range 'h20000000 to 'h3FFFFFFF are forwarded to **busInterface toRAM** since the start address of that range is described by its **busInterface master baseAddress** with value 'h20000000 and the end address of that range is described by that start address plus the referenced **addressSpace range** with the value 'h20000000 minus one addressable unit.

Example 3.53: Component busInterface address ranges

```
<ipxact:busInterface>
  <ipxact:name>toRAM</ipxact:name>
  <ipxact:busType vendor="accellera.org" library="amba3" name="AHBLiteTarget" version="1.0"/>
  <ipxact:master>
    <ipxact:addressSpaceRef addressSpaceRef="AS_RAM">
      <ipxact:baseAddress>'h20000000</ipxact:baseAddress>
    </ipxact:addressSpaceRef>
  </ipxact:master>
</ipxact:busInterface>

<ipxact:addressSpace>
  <ipxact:name>AS_RAM</ipxact:name>
  <ipxact:range>'h20000000</ipxact:range>
  <ipxact:width>32</ipxact:width>
</ipxact:addressSpace>
```

3.2 Advanced Topics

This section first explains the remaining IP-XACT document types **abstractor**, **generator chain**, and **catalog**. Subsequently, more details of conditional elements, parameter passing, and the Tight Generator Interface are presented.

3.2.1 Advanced Elements

3.2.1.1 Abstractor

Abstractors are elements that describe IP blocks that implement conversion between two different abstraction definitions. They are similar to components because they describe IP blocks. They are different from

components because their description is tailored to the function of abstraction conversion. Abstractors are instantiated in design configurations, whereas components are instantiated in designs. The reason for this is that design configurations describe which views are used for which component instances, hence, required abstraction conversions between component instances is specific to design configurations.

The explanation of abstractors is organized as follows. First, the concept of components with multiple views at different levels of abstraction is described. Then those components are instantiated in a design and multiple design configurations are used to configure that design to generate multiple netlists. Finally, the details of abstractors and the use of abstractor instances in design configurations are described.

[Figure 3.3](#) illustrates a component with an RTL view and a TLM view and a bus interface that contains two view-specific port maps. The component bus interface references a bus definition named MyBus and two abstraction definitions named MyBusAbs_rtl and MyBusAbs_tlm. The references to those abstraction definitions and the associated port maps depend on a view reference, meaning that the abstraction definition reference and the port map must be applied on a given component instance if and only if the referenced view is configured through a design configuration view configuration for that component instance. Also, the component ports are made view-specific through a view reference in a port. The blue and yellow parts in [Figure 3.3](#) indicate the descriptions of the component that are specific for the RTL and TLM view, respectively. [Example 3.54](#) shows the IP-XACT description of that **component**.

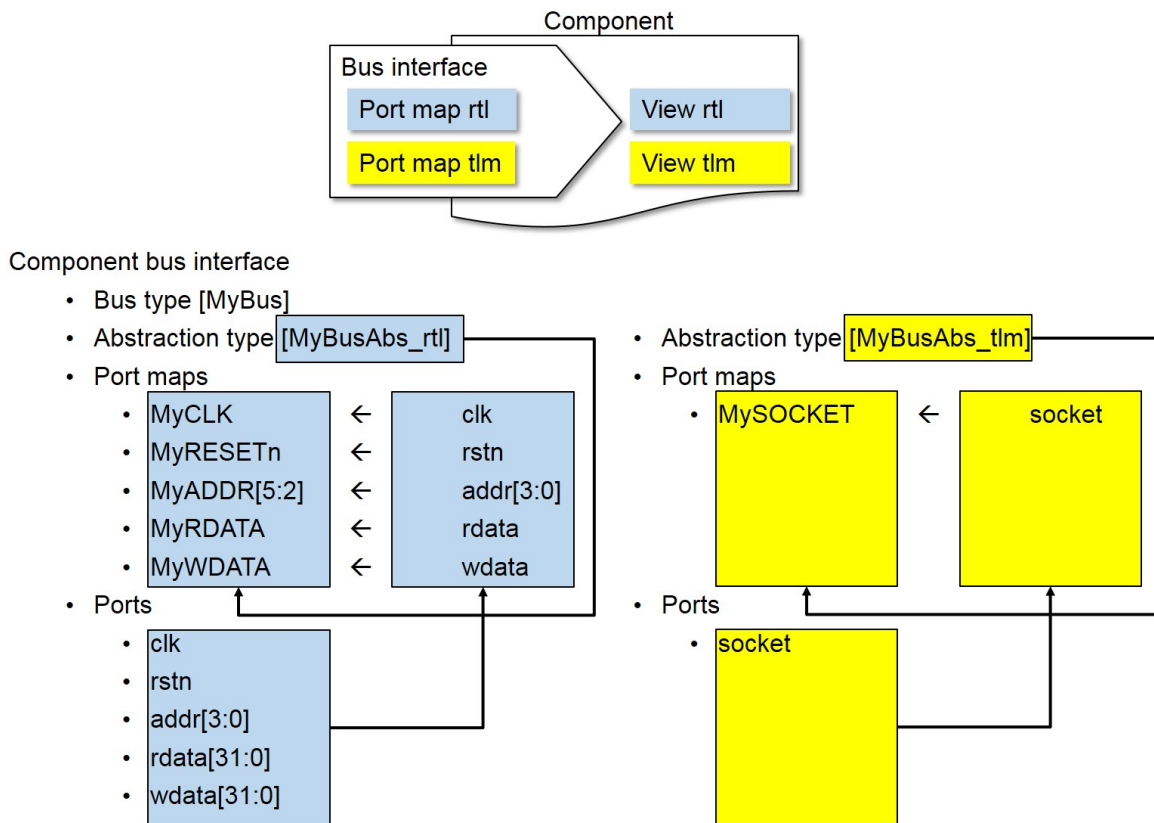


Figure 3.3—Graphical representation of a component with RTL and TLM view and view-specific port maps

Example 3.54: Component with RTL and TLM view and view-specific port maps

```
<?xml version="1.0" encoding="UTF-8"?>
<ipxact:component xmlns:ipxact="http://www.accellera.org/XMLSchema/IPXACT/1685-2014"
  xmlns:xsi="http://www.w3.org/2001/XMLSchema-instance" xsi:schemaLocation="http://www.accellera.org/
  XMLSchema/IPXACT/1685-2014 http://www.accellera.org/XMLSchema/IPXACT/1685-2014/index.xsd">
  <ipxact:vendor>accellera.org</ipxact:vendor>
```

```

<ipxact:library>ug</ipxact:library>
<ipxact:name>comp</ipxact:name>
<ipxact:version>1.0</ipxact:version>
<ipxact:busInterfaces>
  <ipxact:busInterface>
    <ipxact:busInterface>
      <ipxact:name>busif</ipxact:name>
      <ipxact:busType vendor="accellera.org" library="ug" name="MyBus" version="1.0"/>
      <ipxact:abstractionTypes>
        <ipxact:abstractionType>
          <ipxact:viewRef>rtl</ipxact:viewRef>
          <ipxact:abstractionRef vendor="accellera.org" library="ug" name="MyBusAbs_rtl"
version="1.0"/>
        <ipxact:portMaps>
          <ipxact:portMap>
            <ipxact:logicalPort>
              <ipxact:name>MyCLK</ipxact:name>
            </ipxact:logicalPort>
            <ipxact:physicalPort>
              <ipxact:name>clk</ipxact:name>
            </ipxact:physicalPort>
          </ipxact:portMap>
          <ipxact:portMap>
            <ipxact:logicalPort>
              <ipxact:name>MyRESETn</ipxact:name>
            </ipxact:logicalPort>
            <ipxact:physicalPort>
              <ipxact:name>rstn</ipxact:name>
            </ipxact:physicalPort>
          </ipxact:portMap>
          <ipxact:portMap>
            <ipxact:logicalPort>
              <ipxact:name>MyADDR</ipxact:name>
              <ipxact:range>
                <ipxact:left>5</ipxact:left>
                <ipxact:right>2</ipxact:right>
              </ipxact:range>
            </ipxact:logicalPort>
            <ipxact:physicalPort>
              <ipxact:name>addr</ipxact:name>
              <ipxact:partSelect>
                <ipxact:range>
                  <ipxact:left>3</ipxact:left>
                  <ipxact:right>0</ipxact:right>
                </ipxact:range>
              </ipxact:partSelect>
            </ipxact:physicalPort>
          </ipxact:portMap>
          <ipxact:portMap>
            <ipxact:logicalPort>
              <ipxact:name>MyRDATA</ipxact:name>
            </ipxact:logicalPort>
            <ipxact:physicalPort>
              <ipxact:name>rdata</ipxact:name>
            </ipxact:physicalPort>
          </ipxact:portMap>
          <ipxact:portMap>
            <ipxact:logicalPort>
              <ipxact:name>MyWDATA</ipxact:name>
            </ipxact:logicalPort>
            <ipxact:physicalPort>
              <ipxact:name>wdata</ipxact:name>
            </ipxact:physicalPort>
          </ipxact:portMap>
        </ipxact:portMaps>
      </ipxact:abstractionType>
    <ipxact:abstractionType>
      <ipxact:viewRef>tlm</ipxact:viewRef>
      <ipxact:abstractionRef vendor="accellera.org" library="ug" name="MyBusAbs_tlm"
version="1.0"/>
    <ipxact:portMaps>
      <ipxact:portMap>
        <ipxact:logicalPort>
          <ipxact:name>mySOCKET</ipxact:name>
        </ipxact:logicalPort>
        <ipxact:physicalPort>
          <ipxact:name>socket</ipxact:name>
        </ipxact:physicalPort>
      </ipxact:portMap>
    </ipxact:portMaps>
  </ipxact:busInterface>
</ipxact:busInterfaces>

```



```
    </ipxact:portMap>
  </ipxact:portMaps>
  </ipxact:abstractionType>
</ipxact:abstractionTypes>
  <ipxact:master/>
</ipxact:busInterface>
</ipxact:busInterfaces>
<ipxact:model>
  <ipxact:views>
    <ipxact:view>
      <ipxact:name>rtl</ipxact:name>
    </ipxact:view>
    <ipxact:view>
      <ipxact:name>t1m</ipxact:name>
    </ipxact:view>
  </ipxact:views>
  <ipxact:ports>
    <ipxact:port>
      <ipxact:name>clk</ipxact:name>
      <ipxact:wire>
        <ipxact:direction>in</ipxact:direction>
        <ipxact:wireTypeDefs>
          <ipxact:wireTypeDef>
            <ipxact:viewRef>rtl</ipxact:viewRef>
          </ipxact:wireTypeDef>
        </ipxact:wireTypeDefs>
      </ipxact:wire>
    </ipxact:port>
    <ipxact:port>
      <ipxact:name>rstn</ipxact:name>
      <ipxact:wire>
        <ipxact:direction>in</ipxact:direction>
        <ipxact:wireTypeDefs>
          <ipxact:wireTypeDef>
            <ipxact:viewRef>rtl</ipxact:viewRef>
          </ipxact:wireTypeDef>
        </ipxact:wireTypeDefs>
      </ipxact:wire>
    </ipxact:port>
    <ipxact:port>
      <ipxact:name>addr</ipxact:name>
      <ipxact:wire>
        <ipxact:direction>out</ipxact:direction>
        <ipxact:vectors>
          <ipxact:vector>
            <ipxact:left>3</ipxact:left>
            <ipxact:right>0</ipxact:right>
          </ipxact:vector>
        </ipxact:vectors>
        <ipxact:wireTypeDefs>
          <ipxact:wireTypeDef>
            <ipxact:viewRef>rtl</ipxact:viewRef>
          </ipxact:wireTypeDef>
        </ipxact:wireTypeDefs>
      </ipxact:wire>
    </ipxact:port>
    <ipxact:port>
      <ipxact:name>rdata</ipxact:name>
      <ipxact:wire>
        <ipxact:direction>in</ipxact:direction>
        <ipxact:vectors>
          <ipxact:vector>
            <ipxact:left>31</ipxact:left>
            <ipxact:right>0</ipxact:right>
          </ipxact:vector>
        </ipxact:vectors>
        <ipxact:wireTypeDefs>
          <ipxact:wireTypeDef>
            <ipxact:viewRef>rtl</ipxact:viewRef>
          </ipxact:wireTypeDef>
        </ipxact:wireTypeDefs>
      </ipxact:wire>
    </ipxact:port>
    <ipxact:port>
      <ipxact:name>wdata</ipxact:name>
      <ipxact:wire>
        <ipxact:direction>in</ipxact:direction>
```

```
<ipxact:vectors>
  <ipxact:vector>
    <ipxact:left>31</ipxact:left>
    <ipxact:right>0</ipxact:right>
  </ipxact:vector>
</ipxact:vectors>
<ipxact:wireTypeDefs>
  <ipxact:wireTypeDef>
    <ipxact:viewRef>rtl</ipxact:viewRef>
  </ipxact:wireTypeDef>
</ipxact:wireTypeDefs>
</ipxact:wire>
</ipxact:port>
<ipxact:port>
  <ipxact:name>socket</ipxact:name>
  <ipxact:transactional>
    <ipxact:initiative>provides</ipxact:initiative>
    <ipxact:transTypeDefs>
      <ipxact:transTypeDef>
        <ipxact:viewRef>t1m</ipxact:viewRef>
      </ipxact:transTypeDef>
    </ipxact:transTypeDefs>
  </ipxact:transactional>
</ipxact:port>
</ipxact:ports>
</ipxact:model>
</ipxact:component>
```

This **component** differs from earlier components because the **port** and **abstractionType** elements contain a **viewRef** element. For ports that **viewRef** element is part of the **wireTypeDef** or **transTypeDef** element. A **viewRef** element value defines in which view the containing **port** and containing **abstractionType** must be applied. Hence, in this example, the wire port and their port maps apply to view rtl and the transactional port and its port map apply to view t1m.

[Figure 3.4](#) shows a design containing two component instances I and J. The components have views rtl and t1m as explained above. Their bus interfaces are connected with interconnection C. There are four design configurations to configure the design in four different ways by selecting either the rtl or the t1m view for each of the component instances. If a design configuration results in a mixed-abstraction configuration containing both rtl and t1m views, then abstraction conversion is required on interconnection C. For this reason, an abstractor must be instantiated on interconnection C. Abstractor instance A translates a signal-level master bus interface to a transaction-level slave bus interface. Abstractor instance B translates a transaction-level master bus interface to a signal-level slave bus interface. The four design configurations can be used to generate four different netlists as shown in [Figure 3.5](#). The abstractor instance is part of the generated netlist.

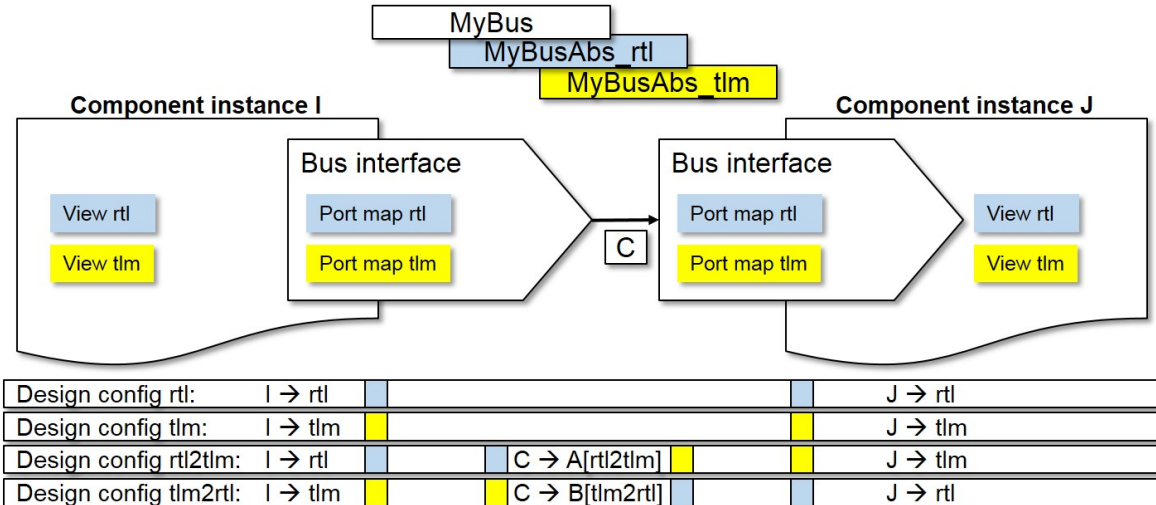


Figure 3.4—Design containing component instances I and J and four design configurations that configure views RTL and TLM for component instances I and J; two design configurations contain abstractor instances A and B performing RTL-to-TLM and TLM-to-RTL abstraction conversion on interconnection C

Design config rtl:	I.clk → J.clk I.rstn → J.rstn I.addr[3:0] → J.addr[3:0] I.rdata[31:0] → J.rdata[31:0] I.wdata[31:0] → J.wdata[31:0]	
Design config tlm:	I.socket → J.socket	
Design config rtl2tlm:	I.clk → A.clk I.rstn → A.rstn I.addr[3:0] → A.addr[3:0] I.rdata[31:0] → A.rdata[31:0] I.wdata[31:0] → A.wdata[31:0]	A.socket → J.socket
Design config tlm2rtl:	I.socket → B.socket	B.clk → J.clk B.rstn → J.rstn B.addr[3:0] → J.addr[3:0] B.rdata[31:0] → J.rdata[31:0] B.wdata[31:0] → J.wdata[31:0]

Figure 3.5—Four netlists generated from the four design configurations containing signal-level and transaction-level port bindings

[Example 3.55](#) shows an **abstractor** describing an IP block that converts the AHBLite target protocol from a TLM2 generic payload representation to an RTL representation.

Example 3.55: Abstractor AHBLiteTarget_tlm2gp_to_rtl

```
<?xml version="1.0" encoding="UTF-8"?>
<ipxact:abstractor xmlns:ipxact="http://www.accellera.org/XMLSchema/IPXACT/1685-2014"
  xmlns:xsi="http://www.w3.org/2001/XMLSchema-instance" xsi:schemaLocation="http://www.accellera.org/XMLSchema/IPXACT/1685-2014 http://www.accellera.org/XMLSchema/IPXACT/1685-2014/index.xsd">
  <ipxact:vendor>accellera.org</ipxact:vendor>
  <ipxact:library>ug</ipxact:library>
```

```

<ipxact:name>AHBLiteTarget_tlm2gp_to_rtl</ipxact:name>
<ipxact:version>1.0</ipxact:version>
<ipxact:abstractorMode>direct</ipxact:abstractorMode>
<ipxact:busType vendor="accellera.org" library="amba3" name="AHBLiteTarget" version="1.0" />
<ipxact:abstractorInterfaces>
  <ipxact:abstractorInterface>
    <ipxact:name>tlm</ipxact:name>
    <ipxact:abstractionTypes>
      <ipxact:abstractionType>
        <ipxact:abstractionRef vendor="accellera.org" library="amba3" name="AHBLiteTarget_tlm"
version="1.0" />
        <ipxact:portMaps>
          ...
        </ipxact:portMaps>
      </ipxact:abstractionType>
    </ipxact:abstractionTypes>
  </ipxact:abstractorInterface>
  <ipxact:abstractorInterface>
    <ipxact:name>rtl</ipxact:name>
    <ipxact:abstractionTypes>
      <ipxact:abstractionType>
        <ipxact:abstractionRef vendor="accellera.org" library="amba3" name="AHBLiteTarget_rtl"
version="1.0" />
        <ipxact:portMaps>
          ...
        </ipxact:portMaps>
      </ipxact:abstractionType>
    </ipxact:abstractionTypes>
  </ipxact:abstractorInterface>
</ipxact:abstractorInterfaces>
<ipxact:model>
  ...
</ipxact:model>
<ipxact:fileSets>
  ...
</ipxact:fileSets>
</ipxact:abstractor>

```

The container element **abstractor** indicates that the IP-XACT XML file describes an **abstractor**. Subsequently, the identifier for an abstractor is specified using the four elements: **vendor**, **library**, **name**, and **version**. In this example, the values of these elements are `accellera.org`, `ug`, `AHBLiteTarget_tlm2gp_to_rtl`, and `1.0`, respectively. Typically, the value of the element **vendor** indicates the organization owning the module and the value of the element **name** indicates the name of the module. The element **abstractorMode** can have four values: `direct`, `master`, `slave`, or `system`. The value describes the interface modes to which the abstractor applies.

- `Direct`, indicates conversion from a bus interface with mode `master` to a bus interface with mode `slave`.
- `Master`, indicates conversion from a bus interface with mode `master` to a bus interface with mode `mirroredMaster`.
- `Slave`, indicates conversion from a bus interface with mode `mirroredSlave` to a bus interface with mode `slave`.
- `System`, indicates conversion from a bus interface with mode `system` to a bus interface with mode `mirroredSystem`.

The element **busType** references a **busDefinition** element, using the four element **vendor**, **library**, **name**, and **version** identifier, indicating for which **busDefinition** the **abstractor** describes abstraction conversion. The element **abstractorInterfaces** is a container element for exactly two **abstractorInterface** elements. The first **abstractorInterface** element is applied to a bus interface describing the source of the abstraction conversion, in the interface mode as indicated by the **abstractorMode** element value. The second **abstractorInterface** element is applied to a bus interface describing the target of the abstraction conversion, in the interface mode as indicated by the **abstractorMode** element value. Each **abstractorInterface** element contains an **abstractionRef** element referencing an **abstractionDefinition** element, using the four element **vendor**, **library**, **name**, and **version** identifier, describing the abstraction of the bus at that interface. Each **abstractorInterface** element also contains a **portMaps** element containing the logical-to-physical port

mapping identical to the **component busInterface** elements. Also, the **model** and **fileSets** elements in **abstractor** are identical to the elements in **component**.

Abstractor instances are described in **interconnectionConfiguration** elements within **designConfiguration** elements as shown in [Example 3.56](#). An **interconnectionConfiguration** element references a **design interconnection** element in the design that is referenced by the **designRef** element in the **designConfiguration**, indicating which **interconnection** is configured with abstractor instances. An **interconnectionConfiguration** element contains one or more **abstractorInstances** elements. Each **abstractorInstances** element can have an **interfaceRef** element indicating to which endpoint of the **interconnection** it applies, by referencing a component instance and bus interface by name. If no **interfaceRef** element is described, then it applies to all endpoints of the interconnection. Furthermore, an **abstractorInstances** element has an **abstractorInstance** element which describes a sequence of abstractor instances that implement the abstraction conversion to the indicated endpoint(s).

Example 3.56: DesignConfiguration interconnectConfiguration

```
<?xml version="1.0" encoding="UTF-8"?>
<ipxact:designConfiguration xmlns:ipxact="http://www.accellera.org/XMLSchema/IPXACT/1685-2014"
  xmlns:xsi="http://www.w3.org/2001/XMLSchema-instance" xsi:schemaLocation="http://www.accellera.org/
  XMLSchema/IPXACT/1685-2014 http://www.accellera.org/XMLSchema/IPXACT/1685-2014/index.xsd">
  <ipxact:vendor>accellera.org</ipxact:vendor>
  <ipxact:library>ug</ipxact:library>
  <ipxact:name>design_cfg</ipxact:name>
  <ipxact:version>1.0</ipxact:version>
  <ipxact:designRef vendor="accellera.org" library="ug" name="design" version="1.0"/>
  <ipxact:interconnectionConfiguration>
    <ipxact:interconnectionRef>C</ipxact:interconnectionRef>
    <ipxact:abstractorInstances>
      <ipxact:interfaceRef componentRef="J" busRef="Slave"/>
      <ipxact:abstractorInstance>
        <ipxact:instanceName>u_AHBLiteTarget_tlm2gp_to_rtl</ipxact:instanceName>
        <ipxact:abstractorRef vendor="accellera.org" library="ug" name="AHBLiteTarget_tlm2gp_to_rtl"
          version="1.0"/>
        <ipxact:viewName>SystemC</ipxact:viewName>
      </ipxact:abstractorInstance>
    </ipxact:abstractorInstances>
  </ipxact:interconnectionConfiguration>
  <ipxact:viewConfiguration>
    <ipxact:instanceName>I</ipxact:instanceName>
    <ipxact:view viewRef="TLM"/>
  </ipxact:viewConfiguration>
  <ipxact:viewConfiguration>
    <ipxact:instanceName>J</ipxact:instanceName>
    <ipxact:view viewRef="RTL"/>
  </ipxact:viewConfiguration>
</ipxact:designConfiguration>
```

An **abstractorInstance** element has an **instanceName** to identify the instance. The **instanceName** matches with the HDL instance name. Furthermore, an **abstractorInstance** element has an **abstractorRef** that references an **abstractor** using the **vendor, library, name, version** identifier. The **abstractorRef** describes the (abstractor) type of the instance. The **abstractorRef** element can have **configurableElementValues**. Finally, an **abstractorInstance** element has a **viewName** element that references a **view** by its **name** that exists in the **abstractor** referenced by the **abstractorRef** element.

3.2.1.2 Generator Chain

Generator chains describe tools that operate on IP-XACT XML documents to enable design environments to run those tools based on the defined flows in the chains. The location of tools and tool input values are described in IP-XACT generator chain documents. [Example 3.57](#) shows a generator that traverses a design hierarchy taking a **component vendor, library, name, and version** identifier and a **component view name** as input.

Example 3.57: GeneratorChain

```
<?xml version="1.0" encoding="UTF-8"?>
```

```
<ipxact:generatorChain xmlns:ipxact="http://www.accellera.org/XMLSchema/IPXACT/1685-2014"
  xmlns:xsi="http://www.w3.org/2001/XMLSchema-instance" xsi:schemaLocation="http://www.accellera.org/
XMLSchema/IPXACT/1685-2014 http://www.accellera.org/XMLSchema/IPXACT/1685-2014/index.xsd">
  <ipxact:vendor>accellera.org</ipxact:vendor>
  <ipxact:library>ug</ipxact:library>
  <ipxact:name>DesignHierarchyTraversal</ipxact:name>
  <ipxact:version>1.0</ipxact:version>
  <ipxact:generator>
    <ipxact:name>TraverseDesignHierarchy</ipxact:name>
    <ipxact:parameters>
      <ipxact:parameter parameterId="vendor" resolve="user" prompt="Component vendor">
        <ipxact:name>vendor</ipxact:name>
        <ipxact:value>accellera.org</ipxact:value>
      </ipxact:parameter>
      <ipxact:parameter parameterId="library" resolve="user" prompt="Component library">
        <ipxact:name>library</ipxact:name>
        <ipxact:value>ipxact</ipxact:value>
      </ipxact:parameter>
      <ipxact:parameter parameterId="name" resolve="user" prompt="Component name">
        <ipxact:name>name</ipxact:name>
        <ipxact:value>component</ipxact:value>
      </ipxact:parameter>
      <ipxact:parameter parameterId="version" resolve="user" prompt="Component version">
        <ipxact:name>version</ipxact:name>
        <ipxact:value>1.0</ipxact:value>
      </ipxact:parameter>
      <ipxact:parameter parameterId="view" resolve="user" prompt="Component view name">
        <ipxact:name>view</ipxact:name>
        <ipxact:value>my_view</ipxact:value>
      </ipxact:parameter>
    </ipxact:parameters>
    <ipxact:generatorExe>../../../../../../../../
org.accellera.ipxact.generators.DesignHierarchyTraversal.class</ipxact:generatorExe>
  </ipxact:generator>
</ipxact:generatorChain>
```

The container element **generatorChain** indicates that the IP-XACT XML file describes a **generatorChain**. Subsequently, the identifier for a generator chain is specified using the four elements: **vendor**, **library**, **name**, and **version**. In this example, the values of these elements are `accellera.org`, `ug`, `DesignHierarchyTraversal`, and `1.0`, respectively. A **generatorChain** element contains one or more **generator** elements describing a sequence of generators. Each **generator** element has a **name** to identify the element. Furthermore, it can have a **parameters** element which is a container element for one or more **parameter** elements. Each **parameter** element describes a generator input. Finally, a **generator** element has a **generatorExe** element indicating the location of the generator executable or script.

3.2.1.3 Catalog

Catalogs describe the location and the **vendor**, **library**, **name**, and **version** identifier of other IP-XACT top-level elements in order to manage collections of IP-XACT files. Catalogs are organized in terms of top-level element types. [Example 3.58](#) shows a catalog describing the location and identifier of a bus definition and an abstraction definition.

Example 3.58: Catalog

```
<?xml version="1.0" encoding="UTF-8"?>
<ipxact:catalog xmlns:ipxact="http://www.accellera.org/XMLSchema/IPXACT/1685-2014" xmlns:xsi="http://
www.w3.org/2001/XMLSchema-instance" xsi:schemaLocation="http://www.accellera.org/XMLSchema/
IPXACT/1685-2014 http://www.accellera.org/XMLSchema/IPXACT/1685-2014/index.xsd">
  <ipxact:vendor>accellera.org</ipxact:vendor>
  <ipxact:library>ug</ipxact:library>
  <ipxact:name>my_catalog</ipxact:name>
  <ipxact:version>1.0</ipxact:version>
  <ipxact:busDefinitions>
    <ipxact:ipxactFile>
      <ipxact:vlv vendor="accellera.org" library="i2s" name="I2S" version="1.1"/>
      <ipxact:name>accellera.org/i2s/I2S/1.1/xml/I2S.xml</ipxact:name>
    </ipxact:ipxactFile>
  </ipxact:busDefinitions>
</ipxact:abstractionDefinitions>
```

```
<ipxact:ipxactFile>
  <ipxact:vlnv vendor="accellera.org" library="i2s" name="I2S_rtl" version="1.1"/>
  <ipxact:name>accellera.org/i2s/I2S/1.1/xml/I2S_rtl.xml</ipxact:name>
</ipxact:ipxactFile>
</ipxact:abstractionDefinitions>
</ipxact:catalog>
```

The container element **catalog** indicates that the IP-XACT XML file describes a **catalog**. Subsequently, the identifier for a catalog is specified using the four elements: **vendor**, **library**, **name**, and **version**. In this example, the values of these elements are `accellera.org`, `ug`, `my_catalog`, and `1.0`, respectively. Furthermore, a **catalog** element can contain **catalogs**, **busDefinitions**, **abstractionDefinitions**, **components**, **abstractors**, **designs**, **designConfigurations**, and **generatorChains** container elements. In this example, only **busDefinitions** and **abstractionDefinitions** elements are shown. All these container elements have an **ipxactFile** element describing the four element **vendor**, **library**, **name**, and **version** identifier of the top-level element and the **name** indicating the location of the file containing the description of the top-level element.

3.2.2 Conditional Elements

Many IP-XACT elements have an **isPresent** sub-element to support conditional existence. The value of **isPresent** is a boolean expression in terms of parameters. If the expression evaluates to true, then the encapsulating IP-XACT element is considered to be included in the containing document. If the expression evaluates to false, then the encapsulating IP-XACT element is considered to be excluded from the containing document. This section contains examples for a conditional register and for a conditional port.

In [Example 3.59](#), the **register** element named `STAT` has an **isPresent** element with value `'my_param>12'` indicating that the **register** element has to be treated as if not present in the containing document if and only if the expression `'my_param>12'` evaluates to false. In the expression, the term `'my_param'` is a parameter that is defined in the same component as the register as shown in the example. The parameter is user-resolvable meaning that its actual value can be set using a **design componentInstance componentRef configurableElementValue** when the component is instantiated.

Example 3.59: Register isPresent

```
<ipxact:register>
  <ipxact:name>STAT</ipxact:name>
  <ipxact:isPresent>my_param>12</ipxact:isPresent>
  <ipxact:description>Status register. Collection of Status flags including interrupt status
before enabling</ipxact:description>
  <ipxact:addressOffset>'h0</ipxact:addressOffset>
  <ipxact:size>32</ipxact:size>
  ...
</ipxact:register>

<ipxact:parameters>
  <ipxact:parameter parameterId="my_param" resolve="user" type="longint">
    <ipxact:name>my_param</ipxact:name>
    <ipxact:value>0</ipxact:value>
  </ipxact:parameter>
</ipxact:parameters>
```

In [Example 3.60](#), the **port** element named `my_port` has an **isPresent** element with value `'ip_config == "FPGA"'` indicating that the **port** element has to be treated as if not present in the containing document if and only if the expression `'ip_config == "FPGA"'` evaluates to false. In the expression, the term `'ip_config'` is a parameter that is defined in the same component as the port as shown in the example. The parameter is user-resolvable meaning that its actual value can be set using a **design componentInstance componentRef configurableElementValue** when the component is instantiated.

Example 3.60: Port isPresent

```
<ipxact:port>
  <ipxact:name>my_port</ipxact:name>
  <ipxact:isPresent>ip_config == "FPGA"</ipxact:isPresent>
```

```

<ipxact:wire>
  <ipxact:direction>in</ipxact:direction>
</ipxact:wire>
</ipxact:port>

<ipxact:parameters>
  <ipxact:parameter parameterId="ip_config" resolve="user" type="string">
    <ipxact:name>ip_config</ipxact:name>
    <ipxact:value>FPGA</ipxact:value>
  </ipxact:parameter>
</ipxact:parameters>

```

3.2.3 Parameter Passing

In IP-XACT, **parameter** elements within a top-level element can be defined to allow their value to be overridden by a referencer of that top-level element. Parameters that can be overridden are identified by having their `resolve` attribute set to either “user” or “generated”. When another element references a top-level element, such as in a **design componentInstance componentRef** element, values can be provided to override the default values specified by the referenced element. Configurable references to top-level elements are of type **configurableLibraryRefType**, such as **design componentInstances componentInstance componentRef** or **component busInterfaces busInterface busType**. The elements of type **configurableLibraryRefType** can include a **configurableElementValues** element that contains the parameters to override and the parameter values to override with in the referenced element.

[Example 3.61](#) shows an example of parameter passing in Verilog. Module A and Module P have parameter pA and pB, respectively. Module A instantiates module B and passes the value of parameter pA onto the value of parameter pB using the expression $pA * 4 + 7$.

Example 3.61: Parameter passing in Verilog.

```

module B();
parameter pB = 1;
endmodule

module A();
parameter pA = 3;
B #( .pB( pA*4+7 ) ) u_B();
endmodule

```

[Example 3.62](#) shows the same example in IP-XACT. Component A and component B contain **componentInstantiation** hdl-rtl with **moduleParameter** pA and pB, respectively. The value of pA is equal to the value of **component parameter** param_A1 and the value of pB is equal to the value of **component parameter** param_B. These dependencies have been introduced to demonstrate that parameter passing is supported on components and designs independent of **designConfiguration viewConfiguration** elements. Components can have additional parameters that are not necessarily related to HDL parameters. In this example, **component** A has a second **parameter** param_A2. Furthermore, **component** A references parameterized **design** A_design in a **designInstantiation**. The value of **design parameter** param_A3 is set with a **configurableElementValue** using an expression $param_A1 * param_A2$ which passes the value of the component parameters onto the value of the design parameter. **Design** A_design instantiates **component** B and the value of **component parameter** param_B is set with a **configurableElementValue** using expression $param_A3 + 7$ which passes the value of the design parameter onto the value of the component parameter. **View** rtl of **component** A references the **component componentInstantiation**, **designInstantiation**, and **designConfigurationInstantiation**, thereby configuring the IP-XACT design hierarchy in line with the Verilog module hierarchy containing parameters pA and pB. As a result, the expressions in terms of IP-XACT parameters param_A1, param_A2, param_A3, and param_B can be translated into expressions in terms of Verilog parameters pA and pB.

Example 3.62: Parameter passing in IP-XACT.

```
<?xml version="1.0" encoding="UTF-8"?>
```



```
<ipxact:component xmlns:ipxact="http://www.accellera.org/XMLSchema/IPXACT/1685-2014"
  xmlns:xsi="http://www.w3.org/2001/XMLSchema-instance" xsi:schemaLocation="http://www.accellera.org/
  XMLSchema/IPXACT/1685-2014 http://www.accellera.org/XMLSchema/IPXACT/1685-2014/index.xsd">
  <ipxact:vendor>accellera.org</ipxact:vendor>
  <ipxact:library>ug</ipxact:library>
  <ipxact:name>B</ipxact:name>
  <ipxact:version>1.0</ipxact:version>
  <ipxact:model>
    <ipxact:views>
      <ipxact:view>
        <ipxact:name>rtl</ipxact:name>
        <ipxact:componentInstantiationRef>hdl-rtl</ipxact:componentInstantiationRef>
      </ipxact:view>
    </ipxact:views>
  <ipxact:instantiations>
    <ipxact:componentInstantiation>
      <ipxact:name>hdl-rtl</ipxact:name>
      <ipxact:language>Verilog</ipxact:language>
      <ipxact:moduleName>B</ipxact:moduleName>
      <ipxact:moduleParameters>
        <ipxact:moduleParameter>
          <ipxact:name>pB</ipxact:name>
          <ipxact:value>param_B</ipxact:value>
        </ipxact:moduleParameter>
      </ipxact:moduleParameters>
    </ipxact:componentInstantiation>
  </ipxact:instantiations>
</ipxact:model>
<ipxact:parameters>
  <ipxact:parameter parameterId="id_B" resolve="user">
    <ipxact:name>param_B</ipxact:name>
    <ipxact:value>1</ipxact:value>
  </ipxact:parameter>
</ipxact:parameters>
</ipxact:component>

<?xml version="1.0" encoding="UTF-8"?>
<ipxact:component xmlns:ipxact="http://www.accellera.org/XMLSchema/IPXACT/1685-2014"
  xmlns:xsi="http://www.w3.org/2001/XMLSchema-instance" xsi:schemaLocation="http://www.accellera.org/
  XMLSchema/IPXACT/1685-2014 http://www.accellera.org/XMLSchema/IPXACT/1685-2014/index.xsd">
  <ipxact:vendor>accellera.org</ipxact:vendor>
  <ipxact:library>ug</ipxact:library>
  <ipxact:name>A</ipxact:name>
  <ipxact:version>1.0</ipxact:version>
  <ipxact:model>
    <ipxact:views>
      <ipxact:view>
        <ipxact:name>rtl</ipxact:name>
        <ipxact:componentInstantiationRef>hdl-rtl</ipxact:componentInstantiationRef>
        <ipxact:designInstantiationRef>hdl-rtl_design</ipxact:designInstantiationRef>
        <ipxact:designConfigurationInstantiationRef>hdl-rtl_design_cfg</
ipxact:designConfigurationInstantiationRef>
      </ipxact:view>
    </ipxact:views>
  <ipxact:instantiations>
    <ipxact:componentInstantiation>
      <ipxact:name>hdl-rtl</ipxact:name>
      <ipxact:language>Verilog</ipxact:language>
      <ipxact:moduleName>A</ipxact:moduleName>
      <ipxact:moduleParameters>
        <ipxact:moduleParameter>
          <ipxact:name>pA</ipxact:name>
          <ipxact:value>param_A1</ipxact:value>
        </ipxact:moduleParameter>
      </ipxact:moduleParameters>
    </ipxact:componentInstantiation>
    <ipxact:designInstantiation>
      <ipxact:name>hdl-rtl_design</ipxact:name>
      <ipxact:designRef vendor="accellera.org" library="ug" name="A_design" version="1.0">
        <ipxact:configurableElementValues>
          <ipxact:configurableElementValue referenceId="id_A3">param_A1*param_A2</
ipxact:configurableElementValue>
        </ipxact:configurableElementValues>
      </ipxact:designRef>
    </ipxact:designInstantiation>
    <ipxact:designConfigurationInstantiation>
      <ipxact:name>hdl-rtl_design_cfg</ipxact:name>
```

```

        <ipxact:designConfigurationRef vendor="accellera.org" library="ug" name="A_design_cfg"
version="1.0"></ipxact:designConfigurationRef>
    </ipxact:designConfigurationInstantiation>
</ipxact:instantiations>
</ipxact:model>
<ipxact:parameters>
    <ipxact:parameter parameterId="id_A1" resolve="user">
        <ipxact:name>param_A1</ipxact:name>
        <ipxact:value>3</ipxact:value>
    </ipxact:parameter>
    <ipxact:parameter parameterId="id_A2" resolve="user">
        <ipxact:name>param_A2</ipxact:name>
        <ipxact:value>4</ipxact:value>
    </ipxact:parameter>
</ipxact:parameters>
</ipxact:component>

<?xml version="1.0" encoding="UTF-8"?>
<ipxact:design xmlns:ipxact="http://www.accellera.org/XMLSchema/IPXACT/1685-2014" xmlns:xsi="http://
www.w3.org/2001/XMLSchema-instance" xsi:schemaLocation="http://www.accellera.org/XMLSchema/
IPXACT/1685-2014 http://www.accellera.org/XMLSchema/IPXACT/1685-2014/index.xsd">
    <ipxact:vendor>accellera.org</ipxact:vendor>
    <ipxact:library>ug</ipxact:library>
    <ipxact:name>A_design</ipxact:name>
    <ipxact:version>1.0</ipxact:version>
    <ipxact:componentInstances>
        <ipxact:componentInstance>
            <ipxact:instanceName>u_B</ipxact:instanceName>
            <ipxact:componentRef vendor="accellera.org" library="ug" name="B" version="1.0">
                <ipxact:configurableElementValues>
                    <ipxact:configurableElementValue referenceId="id_B">param_A3+7</
ipxact:configurableElementValue>
                </ipxact:configurableElementValues>
            </ipxact:componentRef>
        </ipxact:componentInstance>
    </ipxact:componentInstances>
    <ipxact:parameters>
        <ipxact:parameter parameterId="id_A3" resolve="user">
            <ipxact:name>param_A3</ipxact:name>
            <ipxact:value>1</ipxact:value>
        </ipxact:parameter>
    </ipxact:parameters>
</ipxact:design>

<?xml version="1.0" encoding="UTF-8"?>
<ipxact:designConfiguration xmlns:ipxact="http://www.accellera.org/XMLSchema/IPXACT/1685-2014"
xmlns:xsi="http://www.w3.org/2001/XMLSchema-instance" xsi:schemaLocation="http://www.accellera.org/
/XMLSchema/IPXACT/1685-2014 http://www.accellera.org/XMLSchema/IPXACT/1685-2014/index.xsd">
    <ipxact:vendor>accellera.org</ipxact:vendor>
    <ipxact:library>ug</ipxact:library>
    <ipxact:name>A_design_cfg</ipxact:name>
    <ipxact:version>1.0</ipxact:version>
    <ipxact:designRef vendor="accellera.org" library="ug" name="A_design" version="1.0"/>
    <ipxact:viewConfiguration>
        <ipxact:instanceName>u_B</ipxact:instanceName>
        <ipxact:view viewRef="rtl"/>
    </ipxact:viewConfiguration>
</ipxact:designConfiguration>

```

In addition to top-level elements, parameters within a **component model componentInstantiation** and **designConfigurationInstantiation** element can also be configured by the **designConfiguration viewConfiguration view** element. The configuration of the values of view-specific parameters are limited to parameters defined with the scope of that referenced view. In other words, a **designConfiguration viewConfiguration view** element cannot override a value within the referenced component that is not defined within the referenced **componentInstantiation** and **designConfigurationInstantiation** in the referenced **view**.

[Example 3.63](#) shows a modification of [Example 3.62](#) illustrating view-specific parameter passing. The **moduleParameter** pB in **component B** is now user-resolvable rather than dependent on a **component parameter**. As a result, the value of **moduleParameter** pB must be set in a **configurableElementValue** element in a **designConfiguration viewConfiguration**. Similar to parameter

passing from component to design, parameters can be passed from component to design configuration. Here, **designConfiguration** A_design_cfg has a **parameter** param_A3 that is used to set the value of **moduleParameter** pB to param_A3+7. The value of **designConfiguration parameter** param_A3 is set in a **configurableElementValue** using an expression param_A1*param_A2 in the **component designConfigurationInstantiation**.

Example 3.63: View-specific parameter passing in IP-XACT.

```
<?xml version="1.0" encoding="UTF-8"?>
<ipxact:component xmlns:ipxact="http://www.accellera.org/XMLSchema/IPXACT/1685-2014"
  xmlns:xsi="http://www.w3.org/2001/XMLSchema-instance" xsi:schemaLocation="http://www.accellera.org/
  XMLSchema/IPXACT/1685-2014 http://www.accellera.org/XMLSchema/IPXACT/1685-2014/index.xsd">
  <ipxact:vendor>accellera.org</ipxact:vendor>
  <ipxact:library>ug</ipxact:library>
  <ipxact:name>B</ipxact:name>
  <ipxact:version>2.0</ipxact:version>
  <ipxact:model>
    <ipxact:views>
      <ipxact:view>
        <ipxact:name>rtl</ipxact:name>
        <ipxact:componentInstantiationRef>hdl-rtl</ipxact:componentInstantiationRef>
      </ipxact:view>
    </ipxact:views>
    <ipxact:instantiations>
      <ipxact:componentInstantiation>
        <ipxact:name>hdl-rtl</ipxact:name>
        <ipxact:language>Verilog</ipxact:language>
        <ipxact:moduleName>B</ipxact:moduleName>
        <ipxact:moduleParameters>
          <ipxact:moduleParameter parameterId="id_B" resolve="user">
            <ipxact:name>pB</ipxact:name>
            <ipxact:value>1</ipxact:value>
          </ipxact:moduleParameter>
        </ipxact:moduleParameters>
      </ipxact:componentInstantiation>
    </ipxact:instantiations>
  </ipxact:model>
</ipxact:component>

<?xml version="1.0" encoding="UTF-8"?>
<ipxact:component xmlns:ipxact="http://www.accellera.org/XMLSchema/IPXACT/1685-2014"
  xmlns:xsi="http://www.w3.org/2001/XMLSchema-instance" xsi:schemaLocation="http://www.accellera.org/
  XMLSchema/IPXACT/1685-2014 http://www.accellera.org/XMLSchema/IPXACT/1685-2014/index.xsd">
  <ipxact:vendor>accellera.org</ipxact:vendor>
  <ipxact:library>ug</ipxact:library>
  <ipxact:name>A</ipxact:name>
  <ipxact:version>2.0</ipxact:version>
  <ipxact:model>
    <ipxact:views>
      <ipxact:view>
        <ipxact:name>rtl</ipxact:name>
        <ipxact:componentInstantiationRef>hdl-rtl</ipxact:componentInstantiationRef>
        <ipxact:designInstantiationRef>hdl-rtl_design</ipxact:designInstantiationRef>
        <ipxact:designConfigurationInstantiationRef>hdl-rtl_design_cfg</
ipxact:designConfigurationInstantiationRef>
      </ipxact:view>
    </ipxact:views>
    <ipxact:instantiations>
      <ipxact:componentInstantiation>
        <ipxact:name>hdl-rtl</ipxact:name>
        <ipxact:language>Verilog</ipxact:language>
        <ipxact:moduleName>A</ipxact:moduleName>
        <ipxact:moduleParameters>
          <ipxact:moduleParameter>
            <ipxact:name>pA</ipxact:name>
            <ipxact:value>param_A1</ipxact:value>
          </ipxact:moduleParameter>
        </ipxact:moduleParameters>
      </ipxact:componentInstantiation>
      <ipxact:designInstantiation>
        <ipxact:name>hdl-rtl_design</ipxact:name>
        <ipxact:designRef vendor="accellera.org" library="ug" name="A_design" version="2.0"/>
      </ipxact:designInstantiation>
      <ipxact:designConfigurationInstantiation>
```

```

    <ipxact:name>hdl-rtl_design_cfg</ipxact:name>
    <ipxact:designConfigurationRef vendor="accellera.org" library="ug" name="A_design_cfg"
version="2.0">
    <ipxact:configurableElementValues>
    <ipxact:configurableElementValue referenceId="id_A3">param_A1*param_A2</
ipxact:configurableElementValue>
    </ipxact:configurableElementValues>
    </ipxact:designConfigurationRef>
    </ipxact:designConfigurationInstantiation>
    </ipxact:instantiations>
</ipxact:model>
<ipxact:parameters>
    <ipxact:parameter parameterId="id_A1" resolve="user">
    <ipxact:name>param_A1</ipxact:name>
    <ipxact:value>3</ipxact:value>
    </ipxact:parameter>
    <ipxact:parameter parameterId="id_A2" resolve="user">
    <ipxact:name>param_A2</ipxact:name>
    <ipxact:value>4</ipxact:value>
    </ipxact:parameter>
</ipxact:parameters>
</ipxact:component>

<?xml version="1.0" encoding="UTF-8"?>
<ipxact:design xmlns:ipxact="http://www.accellera.org/XMLSchema/IPXACT/1685-2014" xmlns:xsi="http://
www.w3.org/2001/XMLSchema-instance" xsi:schemaLocation="http://www.accellera.org/XMLSchema/
IPXACT/1685-2014 http://www.accellera.org/XMLSchema/IPXACT/1685-2014/index.xsd">
    <ipxact:vendor>accellera.org</ipxact:vendor>
    <ipxact:library>ug</ipxact:library>
    <ipxact:name>A_design</ipxact:name>
    <ipxact:version>2.0</ipxact:version>
    <ipxact:componentInstances>
    <ipxact:componentInstance>
    <ipxact:instanceName>u_B</ipxact:instanceName>
    <ipxact:componentRef vendor="accellera.org" library="ug" name="B" version="2.0"/>
    </ipxact:componentInstance>
    </ipxact:componentInstances>
</ipxact:design>

<?xml version="1.0" encoding="UTF-8"?>
<ipxact:designConfiguration xmlns:ipxact="http://www.accellera.org/XMLSchema/IPXACT/1685-2014"
xmlns:xsi="http://www.w3.org/2001/XMLSchema-instance" xsi:schemaLocation="http://www.accellera.org/
/XMLSchema/IPXACT/1685-2014 http://www.accellera.org/XMLSchema/IPXACT/1685-2014/index.xsd">
    <ipxact:vendor>accellera.org</ipxact:vendor>
    <ipxact:library>ug</ipxact:library>
    <ipxact:name>A_design_cfg</ipxact:name>
    <ipxact:version>2.0</ipxact:version>
    <ipxact:designRef vendor="accellera.org" library="ug" name="A_design" version="2.0"/>
    <ipxact:viewConfiguration>
    <ipxact:instanceName>u_B</ipxact:instanceName>
    <ipxact:view viewRef="rtl">
    <ipxact:configurableElementValues>
    <ipxact:configurableElementValue referenceId="id_B">param_A3+7</
ipxact:configurableElementValue>
    </ipxact:configurableElementValues>
    </ipxact:view>
    </ipxact:viewConfiguration>
    <ipxact:parameters>
    <ipxact:parameter parameterId="id_A3" resolve="user">
    <ipxact:name>param_A3</ipxact:name>
    <ipxact:value>1</ipxact:value>
    </ipxact:parameter>
    </ipxact:parameters>
</ipxact:designConfiguration>

```

3.2.4 Tight Generator Interface

The Tight Generator Interface (TGI) provides an API to query, modify, create, and delete IP-XACT XML documents residing in an IP-XACT compliant design tool. The standard defines this API in terms of SOAP messages in order to make it programming language neutral. The SOAP messages are defined in the IEEE 1685-2014 standard. The purpose of the TGI is to abstract from direct XML document manipulation and enable a client/server architecture between IP-XACT design tools and third-party TGI generators.

The TGI uses the concept of handles to objects. Handles are called identifiers (IDs). Objects are entities that can be described in IP-XACT XML documents. There are two classes of IDs, namely unconfigured IDs and configured IDs. An unconfigured ID provides access to an object type, i.e., an uninstantiated object with default parameter values. A configured ID provides access to an object instance, i.e., an instantiated object with default parameter values that may have been replaced with actual, instance-specific parameter values. Access through an unconfigured ID returns unconfigured IDs, while access through a configured ID returns configured IDs. Configured IDs can be converted to their unconfigured IDs, but only for top-level IP-XACT elements bus definition, abstraction definition, component, abstractor, design, design configuration, and generator chain, as well as parameters. Unconfigured IDs cannot be converted to configured IDs. However, unconfigured IDs can provide access to objects that instantiate other objects and that are referenced through configured IDs as follows.

- A component bus interface instantiates a parameterized bus definition.
- A component bus interface can instantiate one or more parameterized abstraction definitions.
- A component design instantiation instantiates a parameterized design.
- A component design configuration instantiation instantiates a parameterized design configuration.
- A design component instance instantiates a parameterized component.
- A design configuration abstractor instance instantiates a parameterized abstractor.

Note that configurable elements in a design configuration view configuration configure the **componentInstantiation** and **designConfigurationInstantiation** of a component instance. Furthermore, note that unconfigured IDs provide access to all elements including **isPresent** elements and encapsulating elements of **isPresent** elements with values evaluating to false. Configured IDs do not provide access to **isPresent** elements and encapsulating elements of **isPresent** elements with evaluated value false, because these elements have been removed from the configured meta-data during the configuration process.

[Example 3.64](#) shows the usage of TGI with a Tcl programming interface, illustrating how to traverse component memory maps in order to access registers in address blocks. The Tcl namespace `tgi::` encapsulates the TGI API SOAP messages in Tcl procedures. This Tcl API and its implementation are assumed to be provided by an IP-XACT compliant design tool that supports TGI generator development.

Example 3.64: TGI generator in Tcl querying registers

```
# Get unconfigured ID for the component with the given VLNV
set componentID [ tgi::getID [ list "accellera.org" "myLib" "myComponent" "1.0" ] ]

# Get the memory maps of the component
set memoryMapIDs [ tgi::getComponentMemoryMapIDs $componentID ]

# Walk each memory map
foreach memoryMapID $memoryMapIDs {

    # Get the memory map elements of the memory map
    set memoryMapElementIDs [ tgi::getMemoryMapElementIDs $memoryMapID ]

    # Walk each memory map element
    foreach memoryMapElementID $memoryMapElementIDs {

        # Get the type of the memory map element
        set type [ tgi::getMemoryMapElementType $memoryMapElementID ]

        # Check if the memory map element is an address block
        if { [ string compare $type "addressBlock" ] == 0 } {

            # Get the registers of the address block
            set registerIDs [ tgi::getAddressBlockRegisterIDs $memoryMapElementID ]

            # Walk each register
            foreach registerID $registerIDs {

                # Get the register name, description, address offset, access, reset value, and reset mask
                set registerName [ tgi::getName $registerID ]
            }
        }
    }
}
```

```
    set registerDescription [ tgi::getDescription $registerID ]
    set registerOffset [ tgi::getRegisterAddressOffset $registerID ]
    set registerAccess [ tgi::getRegisterAccess $registerID ]
    set registerResetValue [ tgi::getRegisterResetValue $registerID ]
    set registerResetMask [ tgi::getRegisterResetMask $registerID ]
  }
}
}
```

This style of programming can be used to traverse design hierarchies and access component instances and their configurable element values. Also, the view configuration of the component instances can be retrieved from design configurations in a given design hierarchy. The unconfigured component and designs can be retrieved from the configured component and design instances. In this way, TGI can be used to develop generators to create proprietary views from IP-XACT XML documents.

TGI can be used also to develop generators to create IP-XACT XML documents from proprietary views. [Example 3.65](#) shows the use of TGI to create a component register description in an address block of 4K 32-bit words. All string arguments describing the register properties are typically extracted or derived from a proprietary view or user input. A typical example is to parse register descriptions from a spreadsheet to create an IP-XACT register description.

Example 3.65: TGI generator in Tcl creating registers

```
# Create a new component with the given VLNV and get its unconfigured ID
set componentID [ tgi::createComponent [ list "accellera.org" "myLib" "myComponent" "1.0" ] ]

# Create a new memory map in the component with the given memory map name
set memoryMapID [ tgi::addComponentMemoryMap $componentID "myMemoryMap" ]

# Create a new address block in the memory map with the given address block name, base address,
# range, and width
set addressBlockID [ tgi::addMemoryMapAddressBlock $memoryMapID "myAddressBlock" "'h0" "h1000" "32" ]

# Create a new register in the address block with the given register name, address offset, and size,
# and create a new field in the register with the given field name, bit offset, and bit width
set registerID [ tgi::addAddressBlockRegister $addressBlockID "reg" "'h0" "32" "field1" "0" "8" ]

# Set the description, access, reset value, and reset mask of the register
tgi::setDescription $registerID "This is my register description."
tgi::setRegisterAccess $registerID "read-write"
tgi::setRegisterResetValue $registerID "h1" ""
tgi::setRegisterResetMask $registerID "hfffffff" ""

# Create a new field in the register with the given field name, bit offset, and bit width
set fieldID [ tgi::addRegisterField $registerID "field2" "8" "24" ]

# Set the description, access, read action, and volatility of the field
tgi::setDescription $fieldID "This is my second field description"
tgi::setRegisterFieldAccess $fieldID "read-only"
tgi::setRegisterFieldReadAction $fieldID "clear"
tgi::setRegisterFieldVolatility $fieldID "true"
```

This way of TGI programming or scripting can be used to create complete design hierarchies. An example of such usage is the creation of an IP-XACT design hierarchy for a configurable hierarchical IP block. The configuration values for such a block are taken as input by the TGI generator creating the IP-XACT component, design, and design configuration files.

4. Use Models

The IP-XACT standard provides the means for consistent, machine-readable descriptions of non-hierarchical and hierarchical IP that can be used in many ways to improve design processes. Typical use models include packaging, that is often applied in the context of non-hierarchical IP, and assembly, that is applied in the context of hierarchical IP. These use models are supported by IP-XACT compliant design environments offered by IP and EDA vendors such as the ones listed on the [Accellera IP-XACT ecosystem webpage](#). More advanced use models include the use of vendor extensions in IP-XACT documents to describe additional, non-standard information and the use of TGI generators to automate proprietary flows.

4.1 Typical Use Models

This section covers typical use models related to packaging and assembly.

4.1.1 Packaging

In the context of IP-XACT, the term *packaging* means creating an IP-XACT component XML document. Typically, that document describes what is available in terms of IP deliveries for that component and meta-data of those deliveries such as port names, register descriptions, and file locations. There are different approaches to IP packaging.

One approach is that configurable IP blocks are configured through an IP configuration tool. The IP configuration tool accepts IP configuration parameters and generates views for the configured IP block, including an IP-XACT description. Another approach is that IP-XACT descriptions are created from existing views of configured IP blocks. For example, HDL code can be parsed to generate IP-XACT component ports and fileset, and SystemRDL code can be parsed to generate IP-XACT register descriptions. In both approaches, the resulting IP-XACT component describes a configured IP block with resolved parameter values and evaluated expressions.

IP-XACT supports expressions for all value types. This enables the description of configurable IP blocks in IP-XACT because all values can be described as expressions in terms of IP configuration parameters. In earlier versions of the standard, it was not always possible to store the expression itself in XML documents and the value of the evaluated expression had to be stored instead for given values of the configuration parameters. A consequence of supporting expressions is that a significant part of the semantic consistency rules, e.g., overlapping registers, can be checked only after the values of the parameters occurring in the expressions have been resolved.

IP-XACT component descriptions can be used for many purposes including:

- IP transfer
- Component documentation
- Register testing.

4.1.1.1 IP Transfer

Enabling IP exchange between different parties is one of the main goals of the IP-XACT standard. In this use model, IP-XACT component descriptions are produced by IP providers and consumed by IP users. The IP-XACT standard defines the syntax and semantics of such descriptions, hence, there is no ambiguity in the handover and no need for conventions, such as standard directory structures. Furthermore, the IP-XACT XML exchange format enables automated processing such that IP users can easily process IP deliveries in their own third-party or proprietary tool flows. It also enables automated processing for IP providers such that they can easily create and verify IP deliveries in their own flows.

In many configurable IP flows, the IP configuration process results in IP deliveries containing configured IP including an IP-XACT component description. This description can be used by the IP user to integrate the configured IP into a System-on-Chip. The IP-XACT component description can be used also by the IP provider in the IP configuration flow to generate configured IP views such as documentation, HDL interface, software register abstraction layer, and UVM register model, e.g., using TGI generators.

The IP-XACT standards supports conditional elements and full parameterization enabling IP-XACT component descriptions for configurable IP in addition to component descriptions for configured IP. The conditional elements and parameterization enable IP configuration through IP-XACT documents for IP with ports, bus interfaces, and registers that exist conditionally depending on the actual IP configuration.

4.1.1.2 Component Documentation

Traditional component documentation, e.g., data sheets, can be generated easily from IP-XACT component descriptions in a variety of formats and styles. The big advantage of IP-XACT is that it standardizes the format of data sheets in a machine-readable format. Machine processing can be used to translate this format in an organization-specific format. Furthermore, if the IP-XACT documents have been used in design and verification flows, then they are accurate, consistent, up-to-date, and a good source of information to generate documentation. Documentation flows are not limited to single components. Complete design hierarchies can be traversed and global memory maps can be computed to generate parts of System-on-Chip documentation.

4.1.1.3 Register Testing

IP-XACT components containing register descriptions can be used to automate register testing. The metadata describes both the register data layout and, to some extent, the effect of actions on register data such as the fact that writing a 1 to a bit will clear that bit after the write action. Hence, generated register tests can include testing of data layout, access properties, and effects of read and write actions on register fields. Common approaches for register testing are UVM-based approaches and software-driven approaches. Both approaches generate register transactions through bus interfaces towards register blocks and test if a register block implementation matches with its IP-XACT register description.

For hierarchical components, the design hierarchy can be traversed and global memory maps can be calculated in which component registers are mapped into CPU address spaces in order to generate UVM register models and software memory maps to perform System-on-Chip register testing.

4.1.2 Assembly

IP assembly defines a means for creating an IP-XACT design XML document in order to create a new hierarchical IP block, subsystem, or system. There are different approaches to IP assembly.

One approach is that available IP-XACT components are instantiated in a design. The parameter values of these component instances are set and the component instances are connected. The interface of the design can be described by an IP-XACT component that references the design. The views of the component instances can be selected in a design configuration that references the design. The new IP-XACT component can be instantiated in other designs. In this way, a design hierarchy can be created in a bottom-up way. Another approach is that the interface of the hierarchical IP-XACT component is described before the IP-XACT design of that component is assembled. In this way, a design hierarchy can be created in a top-down way. Both approaches can be combined. Note that a component may reference multiple designs and a design may be referenced by multiple design configurations. In other words, a component may be implemented by multiple design topologies and a design topology may have multiple design configurations.

The physical connectivity, e.g., as structural RTL or TLM description, as well as the logical connectivity, e.g., as system memory map description, can be generated from IP-XACT design hierarchies. First, the logical connectivity and addressing can be described to construct the system memory map for all addressable

masters in a System-on-Chip. Next, physical connectivity can be introduced by adding component ports and ports maps that map component ports onto logical ports. Component ports can be wire ports for RTL connectivity and transactional ports for TLM connectivity. Ideally, system memory map, TLM connectivity, and RTL connectivity are generated from the same IP-XACT design hierarchy which is enabled by IEEE Std. 1685-2014.

An additional well-known use model of IP-XACT design hierarchies is design hierarchy transformation. In this use model, the IP-XACT design hierarchy is transformed into another design hierarchy before the structural RTL or TLM description is generated in a target language. Since IP-XACT is language neutral, design hierarchy transformations can be applied in combination with different target languages.

4.2 Advanced Use Models

This section covers advanced use models related to data exchange between tools and proprietary tool flows.

4.2.1 Data Exchange Between Tools

An added value of IP-XACT is that it standardizes the XML document format that is exchanged between parties and tools. If the standard does not support the description of particular pieces of information, then this information can be entered in such XML documents as IP-XACT vendor extensions. Vendor extensions are well-defined locations in IP-XACT XML documents where information can be added that cannot be described in the IP-XACT XML schema. The limitation is that this information can only be interpreted and processed by tools that understand its meaning. However, IP-XACT tools that do not understand a vendor extension need to leave the information intact.

Accellera provides [Recommended Vendor Extensions](#) to describe power intent data, physical design data, and analog/mixed-signal data enabling design flow automation in these areas.

4.2.2 Proprietary Tool Flows

The Tight Generator Interface (TGI) provides an interface to IP-XACT compliant design environments to process IP-XACT documents. The use of TGI ensures that generators operate in any IP-XACT design environment. TGI generators can be used for generation of IP-XACT meta-data as well as generation from IP-XACT meta-data.

Generation of IP-XACT meta-data includes component packaging and design assembly. TGI generators can read content in specific formats and create IP-XACT meta-data from that content. Examples are:

- generators that read HDL files or table formats to create module names, model parameters, ports, file sets, and bus interfaces;
- generators that read SystemRDL files or table formats to create registers;
- generators that read configuration values of a configurable IP configuration to create a (hierarchical) IP-XACT component describing the configured IP;
- generators that read HDL files or table formats to create component instances, parameter values, and connections;
- generators that read design partitioning information to perform meta-data manipulation for design hierarchy transformation or cell insertion for cells such as clamps, level shifters, clock domain crossers, reset synchronizers, mixed-signal connect modules, and mixed-abstraction transactors.

Generation from IP-XACT meta-data includes netlisting. TGI generators read IP-XACT meta-data and create content in specific formats. Examples are:

- generators to create human-readable data sheets, e.g., rendered from DITA or HTML formats;

- generators to create software register abstraction layers and memory maps, e.g., in C/C++ or ARM CMSIS SVD formats;
- generators to create ESL register implementations and interconnect, e.g., in SystemC format;
- generators to create RTL register implementations and interconnect, e.g., in Verilog or VHDL formats;
- generators to create UVM register models, e.g. in SystemVerilog format;
- generators to create file lists and compilation scripts, e.g., in Make, Tcl, or EDA vendor tool formats.

5. Evolution of the Standard

This section describes the evolution of the standard based on different releases. First, an overview of the different releases is given together with the main motivation for each release. Next, the main differences between the releases are summarized.

5.1 Motivation of each Release

So far six different versions of the IP-XACT standard have been released. The first four version have been released by The Spirit Consortium which merged into the Accellera Systems Initiative in 2010. The last two versions have been released by IEEE. The versions and release dates are listed below.

- IP-XACT 1.0, December 2004
- IP-XACT 1.1, June 2005
- IP-XACT 1.2, April 2006
- IP-XACT 1.4, March 2008
- IEEE Std. 1685-2009, December 2009
- IEEE Std. 1685-2014, June 2014

The aim of the IP-XACT versions 1.0, 1.1, and 1.2 was to support Register Transfer Level descriptions of IP blocks. The aim of IP-XACT version 1.4 was to extend the description of IP blocks to Transaction Level Model descriptions. The first IEEE version of the standard supported enhanced register descriptions. The most recent version of the standard adds a lot of new features including conditionality, extended parameter propagation through hierarchical components, view-specific port maps, SystemVerilog expression language, and full schema coverage in TGI.

5.2 Key Elemental Differences between Adjacent Releases

The early versions of the IP-XACT standard, i.e., 1.0, 1.1, and 1.2, were focused primarily on support for RTL based design. IP-XACT 1.1 added support for modeling of synthesis constraints and the notion of a generator interface that could query and configure the XML via a Loose Generator Interface (LGI) supporting updates sent via XML files, or a Tight Generator Interface (TGI) supporting updates sent via a SOAP interface. IP-XACT 1.2 added a consistent model for hierarchical designs, replacing the prior **componentInstances** element with the notion of components referencing designs which instantiate components.

IP-XACT 1.4 introduced TLM IP support. In order to facilitate TLM support, several changes were made amongst others to component signals and bus definitions. Component signals were replaced by component ports. Two type of component ports were introduced: wire ports and transactional ports. The component wire ports contained the functionality of the original component signals. The component transactional ports were introduced to describe TLM1 and TLM2 style transactional ports. Bus definitions were split into bus and abstraction definitions. One bus definition can be used in combination with multiple abstraction definitions. In this way, it is possible to describe multiple abstractions of the same bus, e.g., an RTL abstraction and a TLM abstraction. Each component bus interface has to reference a bus and an abstraction definition. Two bus interfaces can be connected if they reference the same bus definition. However, the referenced abstraction definitions may be different. In order to describe the translation between two abstraction definitions, a new top-level element was introduced called an **abstractor**. An abstractor is a specialized component that describes the meta-data of a module or entity that translates from one abstraction to another abstraction. Abstractors are not instantiated in designs like regular components, rather they are instantiated in design configurations on specific interconnections that reference bus interfaces with different abstractions. The underlying concept is to keep the IP-XACT design topology independent of the views that are selected for the component instances. IP-XACT 1.4 also defined the TGI as part of the standard. The TGI was introduced in IP-XACT 1.1 in order to support

a standard client/server model between IP-XACT design environments and third party generators. The idea is that TGI generators can be executed remotely from design environments in order to configure components such as bus fabrics and to integrate these components in designs. Also, the TGI provides abstraction from direct XML file manipulation using XSL transformations in order to make generators less dependent on the details of a particular IP-XACT version. The TGI has been defined in terms of SOAP messages in order to be programming language neutral.

IEEE Std. 1685-2009 enhanced register descriptions. Register files were introduced to support nested register descriptions. Also, the **modifiedWriteValue** and **readAction** elements were introduced to describe the modification of register fields after a write or read action, respectively. The register and field access types were extended with **writeOnce** and **read-writeOnce**. The enumerated value usage attribute was introduced to enable restricting of enumerated values to read, write, and read-write. Also, the concept of alternate registers was introduced. Furthermore, address space segments were introduced in order to be able to split address spaces in multiple segments. The TGI was modified to support identifiers for unconfigured and configed components meaning that it was possible to access the default values of parameters as well as the actual values of parameters while querying component meta-data.

IEEE Std. 1685-2014 is a major revision of the standard introducing a lot of new features and changes. One objective of this version is to achieve the goal of a single design topology supporting switching of RTL and TLM views in different design configurations. Although TLM support was introduced in IP-XACT 1.4, switching of RTL and TLM views was not possible because component wire and transactional ports were not view specific. Also, the bus interface port map was not view specific. The view-specific component ports and port maps have been introduced in this version. Another new feature is the ability to propagate parameters through design hierarchies. To this end, designs, design configurations, bus definitions, and abstraction definitions have been augmented with parameters. Component parameter values can be propagated to referenced designs, design configurations, bus definitions, and abstraction definitions. Design and design configuration parameters can be propagated to referenced components. To simplify expressions in terms of parameters for end users, the expression language was changed from XPATH to SystemVerilog. All values, e.g., for parameters, base addresses, offsets, widths, sizes, and so on, can be written as expressions. Yet another major feature is conditionality. Many elements, such as ports, registers, bus interfaces, and interconnections, have been made conditional, meaning their presence can depend on the value of a boolean expression in terms of the earlier mentioned parameters. As a consequence of this, the semantic consistency rules have been categorized into a set that can be checked before all expression values have been elaborated and a set can be checked only after all expression values have been elaborated. Finally, the TGI has been extended to cover the complete XML schema. Earlier versions of the standard provide limited functionality in the TGI in the sense that the functionality does not cover the complete XML schema. So, there were limitations with respect to editing of XML documents. The latest version IEEE 1685-2014 supports full XML document editing.